

Application

The CFD-15R ceiling radiation damper employs butterfly style blades for point-of-origin control of radiant heat in HVAC systems. The CFD-15R is installed horizontally in the ceiling membrane of floor-ceiling or roof-ceiling assemblies with fire resistance ratings up to and including 3 hours.

Standard Construction

Frame: 24 gauge (0.7) galvanized steel.

Blades: 22 gauge (0.85) galvanized steel – round butterfly. Insulated with ceramic refractory material for dampers larger than 114 in.² (735 cm²).

Fire Closure Device: Fusible link.

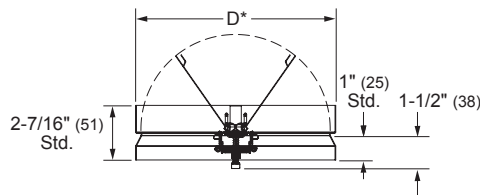
Fire Closure Temperature: 165°F (75°C).

Minimum Size: 4" Ø (102 Ø)

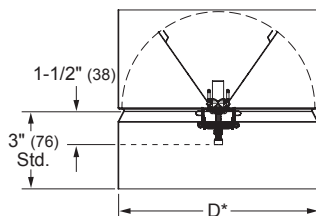
Maximum Size: 24" Ø (610 Ø)

Options

- Factory installed sleeve.
- Alternate blade protection — drywall for dampers larger than 114 in.² (735 cm²).
- Alternate 212°F (100°C) fire closure temperature.
- VC — volume control device, factory mounted.
- Thermal blanket for steel backed diffuser: CRB-24 (Ceramic refractory blanket).
- WHI installation angle set:
 - 2 angles 1" × 1/2" × 28" long (25 × 13 × 711) × 20 ga. (1.0)
 - 2 angles 1" × 1/2" × 3" long (25 × 13 × 76) × 20 ga. (1.0)
- Square/Rectangular Transition Plate (Maximum 24" × 24" [610 × 610])



CFD-15R with optional VC



CFD-15R with optional sleeve and VC

Ratings

UL 555C Fire Resistance Rating: 3 hour (horizontal, for use in 1, 2 or 3 hour rated assemblies)

Listings

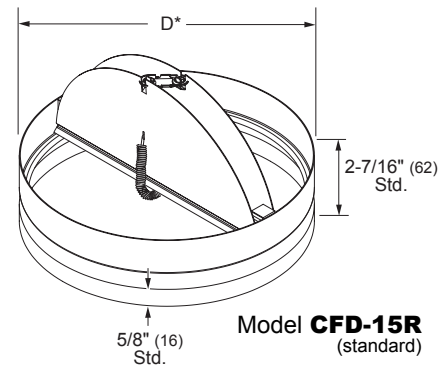
UL 555C listing: R14603

CSFM listing: 3226-0368:104

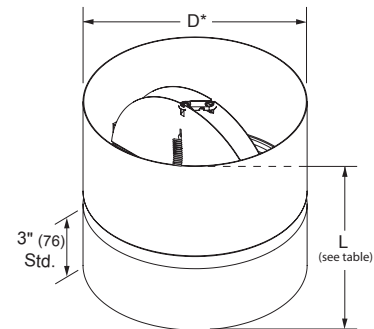
Warnock Hersey listing #: WHI-495-PSH-0177, -0178

Meets NFPA Standards: 90A and 101

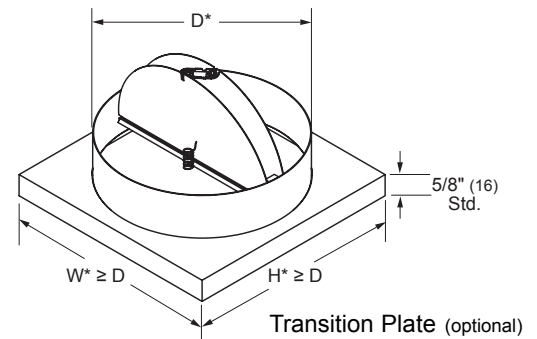
Meets Building Code Standards: IBC, NBC, NFPA, SBC and UBC



Model CFD-15R
(standard)



Sleeve (optional)



Transition Plate (optional)

| Sleeve Table | |
|---------------------------|-------------------|
| Damper Diameter | Sleeve Length 'L' |
| D ≤ 10" (254) | 8" (203) |
| 10" (254) < D ≤ 14" (356) | 10" (254) |
| D > 14" (356) | 12" (305) |

*Damper dimensions furnished approximately net O.D.

Information is subject to change without notice or obligation.

NOTE: Dimensions in parentheses () are millimeters.