

## Application

The ECD-635 offers exceptional protection against wind-driven rain under the most severe conditions and is ideally suited for high wind areas or applications that are sensitive to wind-driven rain penetration. The ECD-635 incorporates horizontal blades and is available in a wide array of anodized and painted finishes including custom color matching.

## Standard Construction

**Material:** Mill finish 6063-T5 extruded aluminum.

**Frame:** 6" deep × 0.081" thick (152 × 2) channel.

**Blades:** 35° × 0.081" thick (2) horizontal style.

**Screen:** 1/2" × 0.063" (12.7 × 1.6) expanded and flattened aluminum.

**Mullion:** Visible.

**Minimum Size:** 4.5" × 7" (114 × 178)

**Maximum Size:** Single section: 60" × 120" (1524 × 3048)  
120" × 60" (3048 × 1524)  
Multiple section: Unlimited

## Options

- Factory finish:
  - High Performance Fluoropolymer - 100% resin Newlar®/ 70% resin Kynar®
  - Baked Enamel
  - Clear or Color Anodized, Class 1
  - Prime Coat
- Hidden vertical mullion for continuous blade appearance.
- 1 1/2" (38) flange frame.
- Welded construction.
- Alternate bird or insect screens.
- Insulated or non-insulated blank-off panels.
- Filter racks.
- Hinged frame.
- Head and/or sill flashing.

## Ratings

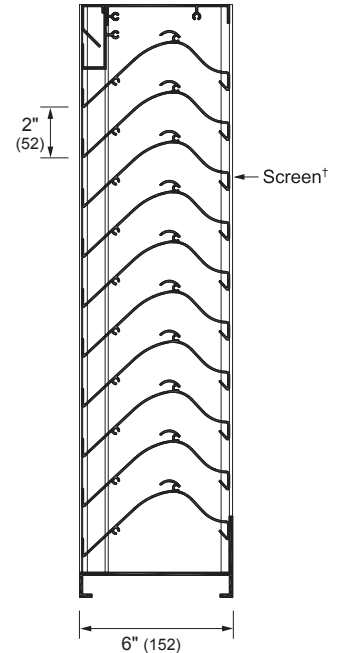
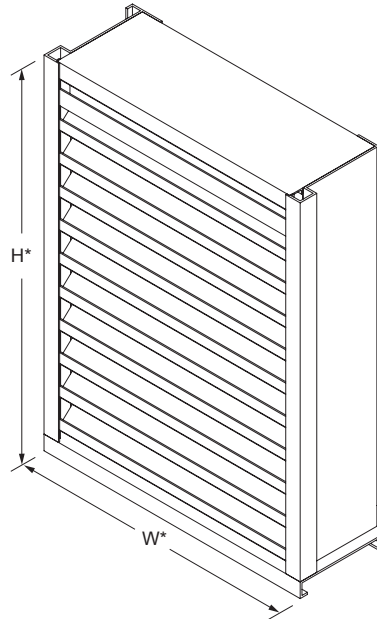
**Free Area:** [48" × 48" (1222 × 1222) unit]: 8.6 ft<sup>2</sup> (0.80 m<sup>2</sup>)  
53.8%

### Performance @ Beginning Point of Water Penetration

**Free Area Velocity:** 1,217 fpm (6.18 m/s)  
**Air Volume Delivered:** 10,508 cfm (4.96 m<sup>3</sup>/s)  
**Pressure Loss:** 0.29 in.wg. (72 Pa)

**Velocity @ 0.15 in.wg. Pressure Loss:** 800 fpm (4.06 m/s)

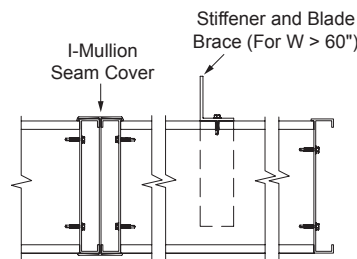
**Design Load:** 30 psf



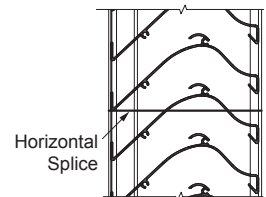
Model **ECD-635**  
(standard)

\*Louver dimensions furnished approximately 1/2" (13) undersize.

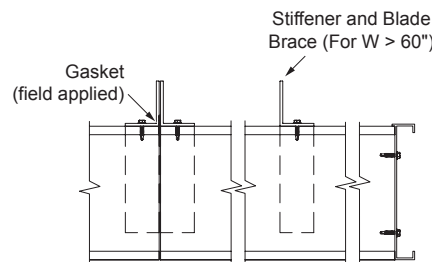
**Vertical Section**  
†Screen adds approximately 3/16" (5) to louver depth.



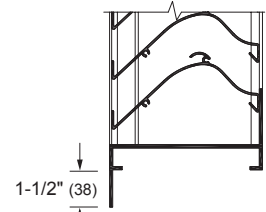
**Visible Vertical Mullion**  
(standard)



**Horizontal Mullion**  
(standard)



**Hidden Vertical Mullion**  
(optional)



**Flange Frame**  
(optional)



### Certified Ratings:

Pottorff certifies that the model ECD-635 shown herein is licensed to bear the AMCA seal. The ratings shown are based on test and procedures performed in accordance with AMCA Publication 511 and comply with the requirements of the AMCA Certified Ratings Program. The AMCA Certified Ratings seal applies to air performance, water penetration and wind-driven rain ratings.

# Performance Data

## Free Area (ft<sup>2</sup>)

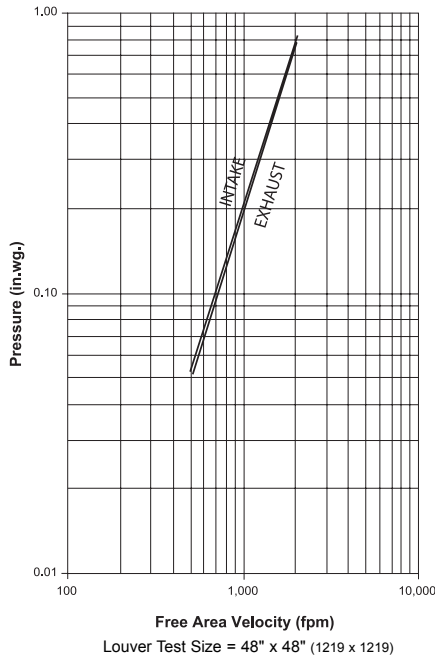
	Width (Inches)																		
	12	18	24	30	36	42	48	54	60	66	72	78	84	90	96	102	108	114	120
12	0.3	0.5	0.7	0.9	1.1	1.3	1.4	1.6	1.8	2.0	2.2	2.4	2.6	2.8	2.9	3.1	3.3	3.5	3.7
18	0.6	0.9	1.3	1.6	1.9	2.3	2.6	3.0	3.3	3.7	4.0	4.4	4.7	5.0	5.4	5.7	6.1	6.4	6.8
24	0.8	1.3	1.8	2.3	2.8	3.3	3.8	4.3	4.8	5.3	5.8	6.3	6.8	7.3	7.8	8.3	8.8	9.3	9.8
30	1.1	1.8	2.4	3.1	3.7	4.4	5.0	5.7	6.3	7.0	7.7	8.3	9.0	9.6	10.3	10.9	11.6	12.3	12.9
36	1.4	2.2	3.0	3.8	4.6	5.4	6.2	7.0	7.9	8.7	9.5	10.3	11.1	11.9	12.7	13.5	14.4	15.2	16.0
42	1.6	2.6	3.6	4.5	5.5	6.5	7.4	8.4	9.4	10.3	11.3	12.3	13.2	14.2	15.2	16.1	17.1	18.1	19.1
48	1.9	3.0	4.1	5.3	6.4	7.5	8.6	9.8	10.9	12.0	13.1	14.3	15.4	16.5	17.6	18.8	19.9	21.0	22.1
54	2.1	3.4	4.7	6.0	7.3	8.5	9.8	11.1	12.4	13.7	14.9	16.2	17.5	18.8	20.1	21.4	22.6	23.9	25.2
60	2.4	3.8	5.3	6.7	8.1	9.6	11.0	12.5	13.9	15.3	16.8	18.2	19.6	21.1	22.5	24.0	25.4	26.8	28.3
66	2.7	4.3	5.8	7.4	9.0	10.6	12.2	13.8	15.4	17.0	18.6	20.2	21.8	23.4	25.0	26.6	28.2	29.8	31.3
72	2.9	4.7	6.4	8.2	9.9	11.7	13.4	15.2	16.9	18.7	20.4	22.2	23.9	25.7	27.4	29.2	30.9	32.7	34.4
78	3.2	5.1	7.0	8.9	10.8	12.7	14.6	16.5	18.4	20.3	22.2	24.1	26.1	28.0	29.9	31.8	33.7	35.6	37.5
84	3.4	5.5	7.6	9.6	11.7	13.8	15.8	17.9	19.9	22.0	24.1	26.1	28.2	30.3	32.3	34.4	36.4	38.5	40.6
90	3.7	5.9	8.1	10.4	12.6	14.8	17.0	19.2	21.4	23.7	25.9	28.1	30.3	32.5	34.8	37.0	39.2	41.4	43.6
96	4.0	6.3	8.7	11.1	13.5	15.8	18.2	20.6	23.0	25.3	27.7	30.1	32.5	34.8	37.2	39.6	42.0	44.3	46.7
102	4.2	6.8	9.3	11.8	14.3	16.9	19.4	21.9	24.5	27.0	29.5	32.1	34.6	37.1	39.7	42.2	44.7	47.3	49.8
108	4.5	7.2	9.9	12.5	15.2	17.9	20.6	23.3	26.0	28.7	31.4	34.0	36.7	39.4	42.1	44.8	47.5	50.2	52.9
114	4.7	7.6	10.4	13.3	16.1	19.0	21.8	24.6	27.5	30.3	33.2	36.0	38.9	41.7	44.6	47.4	50.2	53.1	55.9
120	5.0	8.0	11.0	14.0	17.0	20.0	23.0	26.0	29.0	32.0	35.0	38.0	41.0	44.0	47.0	50.0	53.0	56.0	59.0



**Certified Ratings:**  
Pottorff certifies that the model ECD-635 shown herein is licensed to bear the AMCA seal. The ratings shown are based on test and procedures performed in accordance with AMCA Publication 511 and comply with the requirements of the AMCA Certified Ratings Program. The AMCA Certified Ratings seal applies to air performance, water penetration and wind-driven rain ratings.

Height (Inches)

## Pressure Loss



## Selection Criteria

Follow the steps listed below to calculate the louver size needed to satisfy the required air volume while minimizing the adverse effects of water penetration and pressure loss.

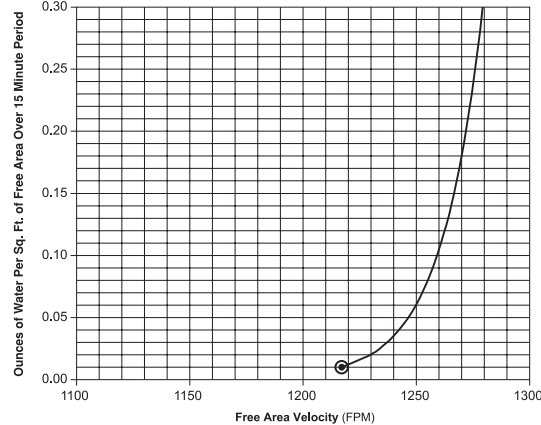
1. Determine the Free Area Velocity (FAV) at the maximum allowable pressure loss using the *Pressure Loss* chart to the left. While job conditions vary, typically, the maximum allowable pressure loss should not exceed 0.15 in.wg., and the FAV for 0.15 in.wg. pressure loss is listed on the front page of this sheet.
2. **Intake Applications** If the FAV at the Beginning Point of Water Penetration (shown below) is less than the FAV from step 1, then use the FAV at the Beginning Point of Water Penetration in step 3, otherwise use the FAV from step 1.
3. Calculate the total louver square footage required using the following equation.

$$\frac{\text{Required Air Volume}}{\text{FAV}} \text{ cfm} \div \frac{\text{Required Louver (Free-Area) Size in ft}^2}{\text{fpm}} = \text{ft}^2$$

4. Using the *Free Area* chart above, select a louver width and height that yields a free area ft<sup>2</sup> greater than or equal to the required louver size calculated in step 3.

## Water Penetration

Beginning Point of Water Penetration = 1,217 fpm



## Water Penetration

AMCA defines the beginning point of water penetration as the free area velocity at the intersection of a simple linear regression of test data and the line of 0.01 ounces of water per square foot of free area and is measured through a 48" x 48" louver during a 15 minute period. The AMCA water penetration test provides a method for comparing louver models and designs as to their efficiency in resisting the penetration of rainfall under specific lab conditions. Pottorff recommends that intake louvers are selected with a reasonable margin of safety below the beginning point of water penetration in order to avoid unwanted penetration during severe storm conditions.

## Wind Driven Rain Performance — AMCA 500-L Wind Driven Rain Test

Test louver Core Area, is 39<sup>3</sup>/<sub>8</sub>" x 39<sup>3</sup>/<sub>8</sub>".

Wind Velocity	Rainfall	Airflow	Core Velocity	Effectiveness Ratio	Wind Class <sub>2</sub>	Discharge Class <sub>3</sub>
29 mph	3 in/hr	6372 cfm	441 fpm	96.6%	B	2

Wind Driven Rain, Class	Effectiveness	Discharge Loss, Class	Coefficient
A	1.000 to 0.99	1	0.4 to 1.000
B	0.989 to 0.95	2	0.3 to 0.399
C	0.949 to 0.80	3	0.2 to 0.299
D	0.799 to 0.00	4	0.0 to 0.199

**NOTES 1.** Core Area is the open area of the louver face (face area less louver frame). **2.** Wind Driven Rain Penetration Classes. **3.** Discharge Loss Coefficient is calculated by dividing the louvers' actual airflow rate by the theoretical airflow rate for an unobstructed opening. The higher the coefficient the lower the resistance to air flow.

Information is subject to change without notice or obligation.

**NOTE:** Dimensions in parentheses ( ) are millimeters.