

Application

The EFD-637-MD-PH extruded aluminum penthouse is engineered and tested to withstand extreme loads, debris impact and cyclic failure associated with the severe weather effects of hurricanes (**Miami-Dade County approval #05-0725.05**). Designed for intake and exhaust applications, the EFD-637-MD-PH frequently serves as a gravity ventilator, fan discharge cap, fresh air intake cap, sight shield or pressure relief ventilator.

Standard Construction

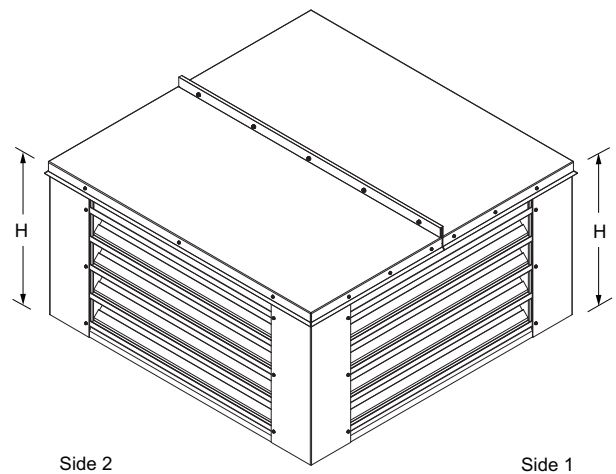
- Material:** Mill finish 6063-T5 extruded aluminum.
- Frame:** 6" deep × 0.125" thick (152 × 3.2) channel.
- Blades:** 37½° × 0.081" (2.0) thick horizontal style.
- Corner:** Boxed.
- Roof:** 2" (51) thick, expanded foam board laminated and sandwiched between double skins of 0.081" (2) thick aluminum — raised seam type.
- Screen:** ½" × 0.063" (12.7 × 1.6) expanded and flattened aluminum.
- Mullion:** Visible.
- Minimum Size:** 12" × 12" (305 × 305), 12" (305) high
- Maximum Size:** Factory assembled: 100" × 88" (2540 × 2235)
 Maximum height: 60" (1524)

Options

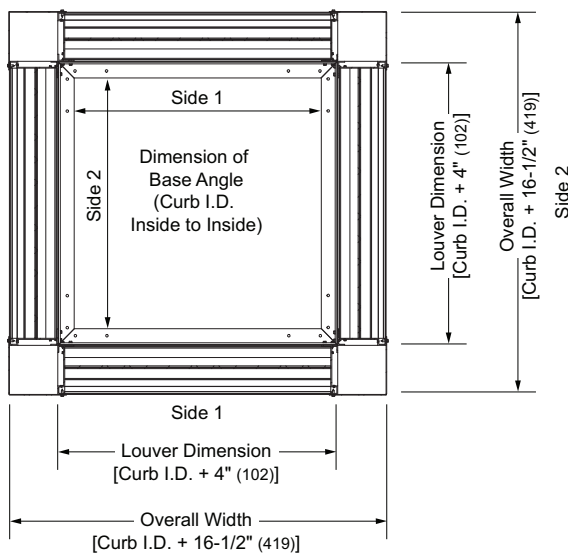
- Factory finish:
 - High Performance Fluoropolymer - 100% resin Newlar®/ 70% resin Kynar®
 - Baked Enamel
 - Clear or Color Anodized, Class 1
 - Prime Coat
- Hinged Roof.
- Alternate bird or insect screens.
- Insulated or non-insulated blank-off panels.
- Filter racks.
- Sill flashing.

Ratings

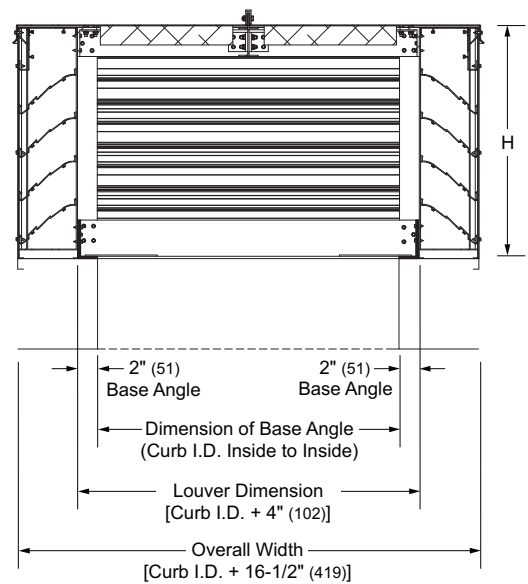
- Louver Free Area (per side):**
 [48" × 48" (1222 × 1222) unit]: 9.5 ft² (0.88 m²)
 59.4%
- Performance @ Beginning Point of Water Penetration**
- Free Area Velocity:** 990 fpm (5.03 m/s)
- Air Volume Delivered:** 9,405 cfm (4.44 m³/s)
- Pressure Loss:** 0.11 in.wg. (27 Pa)
- Velocity @ 0.15 in.wg. Pressure Loss:** 1150 fpm (5.84 m/s)
- Miami Dade County:** NOA No. 11-0119.23 (Expires 12/29/2015)
 Approved to FBC TAS202-94, TAS201-94, and TAS-203-94.
- Florida Building Code Approval:** No. FL12655
- Design Load:** 80 psf



Model **EFD-637-MD-PH**
 (standard)



Side View



Section View

Note: EFD-637-MD-PH must be installed in accordance with specific installation instructions - contact factory for details.

Information is subject to change without notice or obligation.

NOTE: Dimensions in parentheses () are millimeters.