

Application

RCS-10R control dampers employ a single round blade and an integrated screw-drive assembly for remote cable operated manual air control and balancing in low pressure and velocity applications.

Standard Construction

Frame: 6" × 22 ga. (152 × 0.85) galvanized steel.

Blades: 22 ga. (0.85) galvanized steel.

Axles: 3/8" (10) square plated steel.

Bearings: Synthetic

Control Shaft: 3/8" × 3" (10 × 76) square drive axle with a control arm/screw-drive assembly installed on a stand-off bracket attached to the damper.

Remote Control Cable Assembly: 5/32" Ø × 36" long (4.0 Ø × 914) cable with 3/16" (4.8) allen hex-head drive, 2" (51) wide steel mounting bracket, 19/16" × 1 1/2" long (24 × 38) round plastic tube and plastic finishing plug.

Minimum Size: 4" Ø (102 Ø)

Maximum Size: 24" Ø (610 Ø)

Options

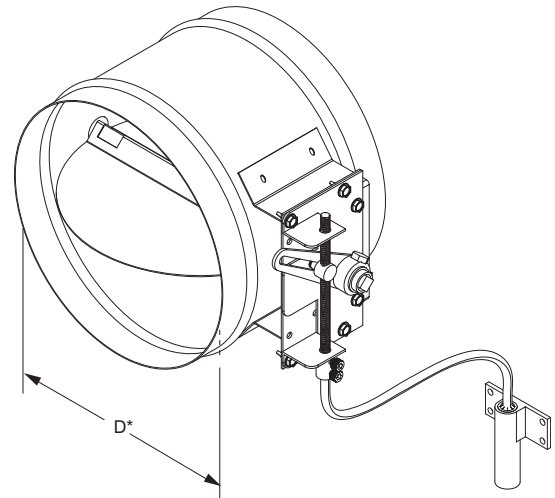
- Alternate frame:
 - 20 ga. (1.0)
 - Length: 8" (203) 10" (254) 12" (305)
- Alternate blade:
 - 20 ga. (1.0) 16 ga. (1.6)
- Additional cable length:
 - _____ inches
- Hex tool handle: 'L' shaped, Std. 'T'-handle
- Nickel plated steel finishing plug.

Ratings

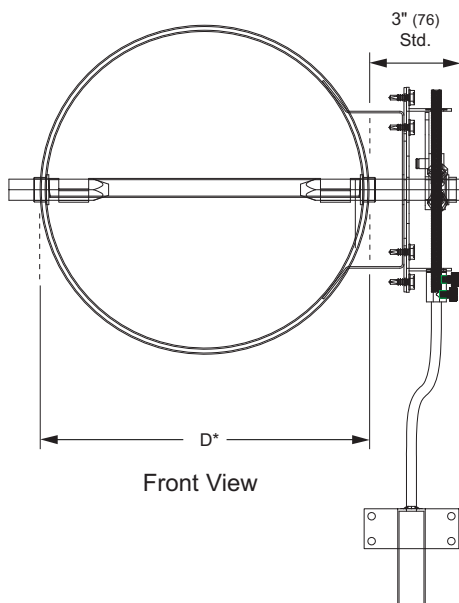
Maximum System Velocity: 1500 fpm (7.7 m/s)

Maximum System Pressure: 1 in. wg (0.25 kPa)

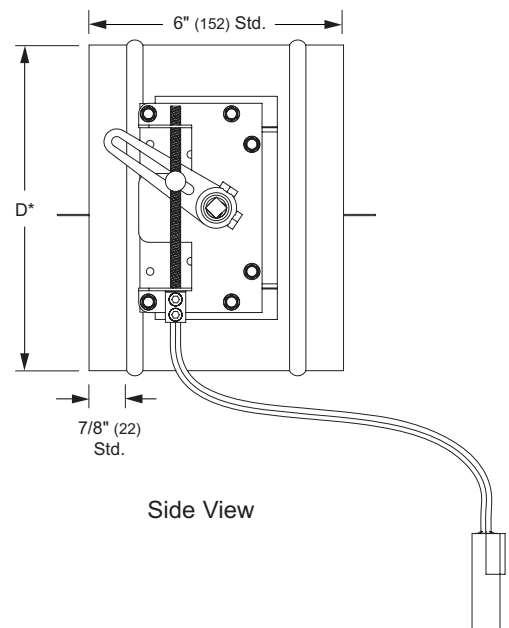
Temperature: -25°F to 180°F (-32°C to 83°C)



Model **RCS-10R**
(standard)



Front View



Side View

*Damper dimensions furnished approximately 1/8" (3) undersize.

Information is subject to change without notice or obligation.

NOTE: Dimensions in parentheses () are millimeters.