

## Application

RCS-42 control dampers employ triple-V blades and an integrated screw-drive assembly for remote cable operated manual air control and balancing in low pressure and velocity applications.

## Standard Construction

**Frame:** 5" × 1" (127 × 25) galvanized steel hat channel with interlocking corner gusset. Equivalent to 13 gauge (2.4) channel frame. Low profile head and sill are used on sizes less than 13" (330) high.

**Blades:** 6" × 16 gauge (152 × 1.5) galvanized steel — triple-V, single blade or opposed blade action type.

**Axles:** 1/2" (13) diameter plated steel hex.

**Linkage:** Concealed in frame.

**Bearings:** Synthetic

**Control Shaft:** 1/2" × 3" (13 × 76) round drive axle with a control arm/screw-drive assembly factory installed on a stand-off bracket attached to an 8" × 20 ga. (203 × 1.0) side plate secured to the damper frame.

**Remote Control Cable Assembly:** 5/32" Ø × 36" long (4.0 Ø × 914) cable with 3/16" (4.8) allen hex-head drive, 2" (51) wide steel mounting bracket, 19/16" × 1 1/2" long (24 × 38) round plastic tube and plastic finishing plug.

**Minimum Size:** Single blade: 5" × 5" (127 × 127)  
Two blades: 5" × 10" (127 × 254)

**Maximum Size:** 36" × 36" (914 × 914)

## Options

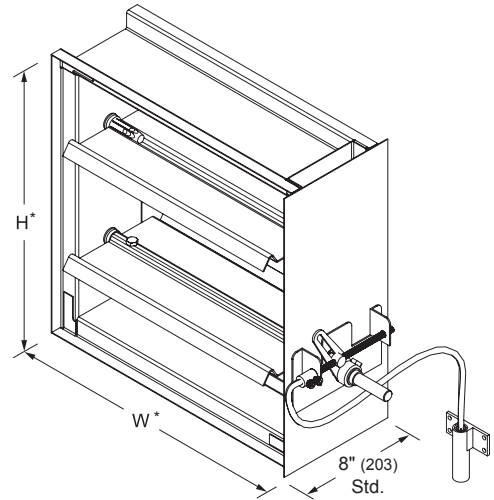
- Alternate factory installed 10" wide side plate:
  - 20 ga. (1.0)     16 ga. (1.6)
- Factory installed sleeve.
  - Gauge:  20 (1.0)     16 (1.6)
  - Length:  10" (254)     12" (305)
- Additional cable length: \_\_\_\_\_ inches
- Hex tool handle:  'L' shaped, Std.     'T'-handle
- Nickel plated steel finishing plug.
- Linear slot diffuser clip.

## Ratings

**Maximum System Velocity:** 1500 fpm (7.7 m/s)

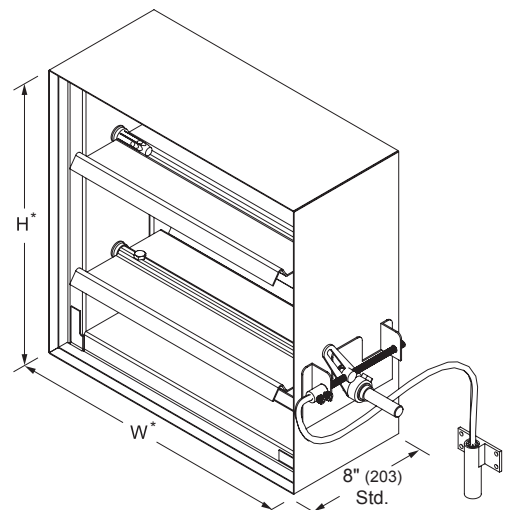
**Maximum System Pressure:** 3 in. w.g. (0.8 kPa)

**Temperature:** -25°F to 350°F (-32°C to +177°C)



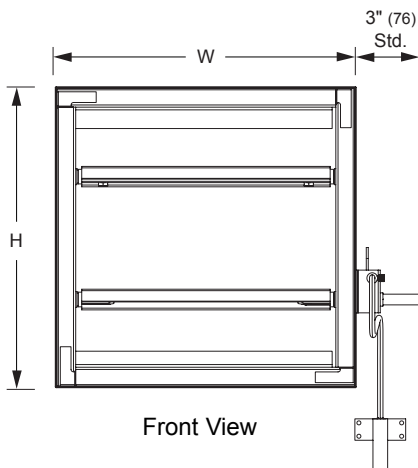
Model **RCS-42** (standard)

\*Damper dimensions furnished approximately 1/4" (6) undersize



Sleeve (optional)

\*Damper dimensions furnished approximately 1/8" (3) undersize.



Front View