

## Application

The VFD-10-IMB fire damper employs out of the air stream curtain style blades and a factory installed integral mounting angle for ease of installation and point-of-origin control of fire in static HVAC systems. The integral mounting angle is designed and approved to be fastened directly to the fire separation and may be installed under the drywall in metal stud construction. The VFD-10-IMB may be installed in vertical walls or partitions with fire resistance ratings up to 2 hours.

## Standard Construction

**Sleeve/Frame:** Integral 12" x 20 gauge (305 x 1.0) galvanized steel with 1-½" x 20 gauge (38 x 1.0) galvanized steel integral single side mounting angle.

**Blades:** 24 gauge (0.7) galvanized steel – curtain style.

**Fire Closure Device:** UL listed fusible link.

**Fire Closure Temperature:** 165°F (75°C).

**Minimum Size:** 4" x 2" (102 x 51)

**Maximum Size:** 48" x 44" (1219 x 1118)

## Options

- Alternate sleeve/frame length:
  - 16" (406)  Other \_\_\_\_\_
- Transitions:  Round  Oval
  - Duct connections:
    - 1" (25) S-clip  DM-25  DM-35  WARD
- Alternate fire closure temperature.
  - 212°F (100°C)
- Generic mullion for oversized masonry or concrete openings.

## Ratings

**UL 555 Fire Resistance Rating:** 1½ hour (vertical)

## Listings

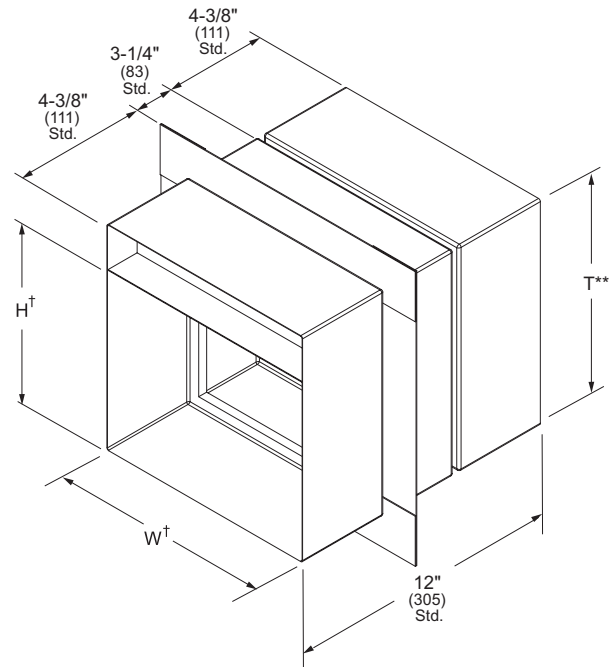
**UL 555 listing:** R11767

**CSFM listing:** 3225-0368:101

**New York City MEA listing:** 295-98-E

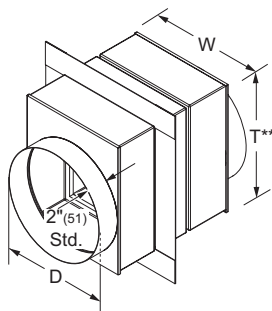
**Meets NFPA Standards:** 90A, 92A, 92B and 101

**Meets Building Code Standards:** IBC, NBC, NFPA, SBC and UBC

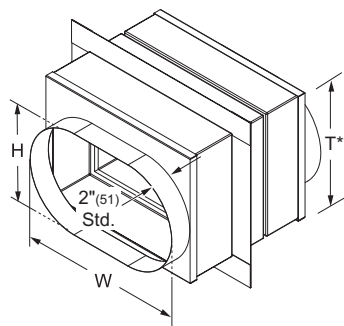


Model **VFD-10-IMB**  
(standard)

†Damper dimensions furnished approximately 1/8" (3) undersize.



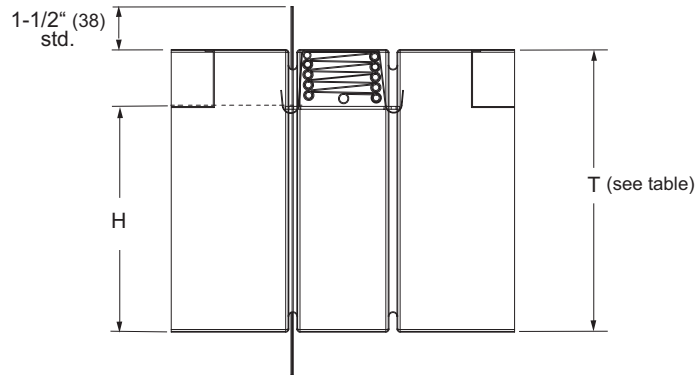
**Type BR (optional)**  
 Round duct transitions are standard with D=W. (available with D<W)



**Type BO (optional)**  
 Oval duct transitions are standard with W equal to damper width dimension. (available with W smaller than damper width)

\*\*See table on next page for 'T' dimension

# Damper Height Dimensional Data



| Nominal Duct Height 'H' | Damper Height 'T' |
|-------------------------|-------------------|
| 2" (51)                 | 4" (102)          |
| 3" (76)                 | 5" (127)          |
| 4" (102)                | 6" (152)          |
| 5" (127)                | 7" (178)          |
| 6" (152)                | 8" (203)          |
| 7" (178)                | 9" (229)          |
| 8" (203)                | 10" (254)         |
| 9" (229)                | 11" (279)         |
| 10" (254)               | 12" (305)         |
| 11" (279)               | 13" (330)         |
| 12" (305)               | 14" (356)         |
| 13" (330)               | 15" (381)         |
| 14" (356)               | 16" (406)         |
| 15" (381)               | 17" (432)         |
| 16" (406)               | 18" (457)         |
| 17" (432)               | 19" (483)         |
| 18" (457)               | 20" (508)         |
| 19" (483)               | 21" (533)         |
| 20" (508)               | 22" (559)         |
| 21" (533)               | 23" (584)         |
| 22" (559)               | 24" (610)         |
| 23" (584)               | 25" (635)         |
| 24" (610)               | 26" (660)         |
| 25" (635)               | 28" (686)         |
| 26" (660)               | 29" (711)         |
| 27" (686)               | 30" (737)         |
| 28" (711)               | 31" (762)         |
| 29" (737)               | 32" (787)         |
| 30" (762)               | 33" (813)         |
| 31" (787)               | 34" (838)         |
| 32" (813)               | 35" (864)         |
| 33" (838)               | 36" (889)         |