

Application

The VT-654 equipment screen incorporates a vertical "T" blade to match common building cladding systems and screen equipment from line-of-sight. The VT-654 is available in a wide array of finishes including custom color matching.

Standard Construction

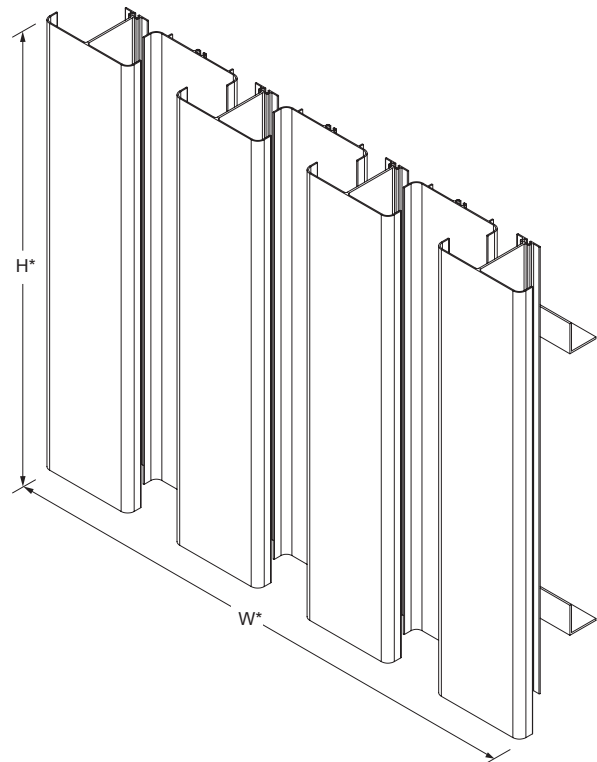
- Material:** Mill finish 6063-T5 extruded aluminum.
- Frame:** 2" × 1½" × 0.081" thick (51 × 38 × 2) angle.
- Blades:** 0.081" (2) thick vertical cladding T-style.
- Mullion:** Visible.
- Minimum Size:** 12" × 12" (305 × 305)
- Maximum Size:** Single section: 72" × 144" (1829 × 3658)
 144" × 72" (3658 × 1829)
 Multiple section: Unlimited

Options

- Factory finish:
 - High Performance Fluoropolymer - 100% resin Newlar®/70% resin Kynar®
 - Baked Enamel
 - Clear Anodize
 - Integral Color Anodize
 - Prime Coat
- Welded construction.
- Hinged frame.

Ratings

Free Area: [48" × 48" (1222 × 1222) unit]: 3.4 ft² (0.32 m²)
 21.0%



Model VT-654
 (standard)

*Dimensions furnished
 approximately 1/2" (13) undersize.

