

## Application and Design

Factory installed on the rear/interior of the louver.

## Standard Construction

**Material:** Aluminum.

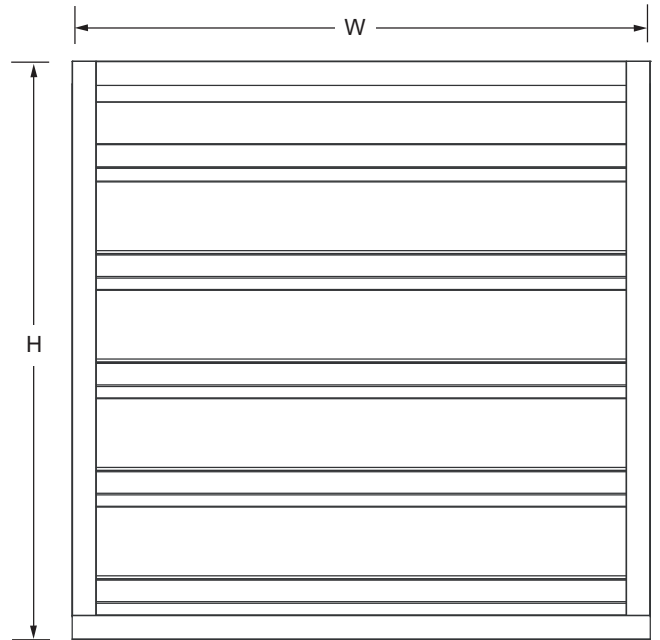
**Finish:** Exterior facing; Textured black, Interior facing; Textured black.

**Minimum Size:** See appropriate louver minimum.

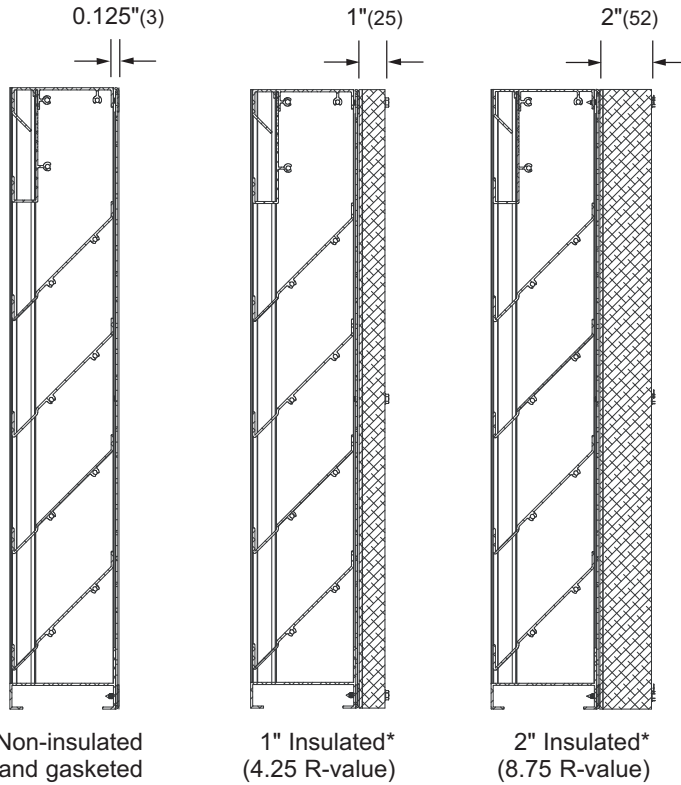
**Maximum Size:** See appropriate louver maximum.

## Typical Details

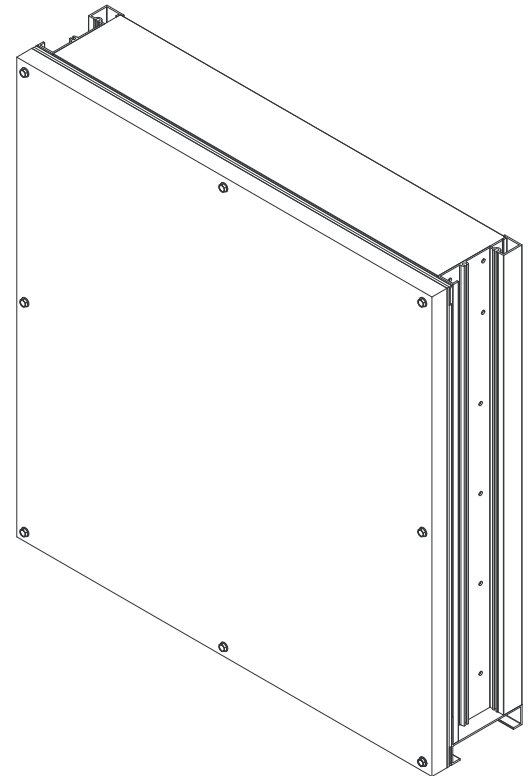
Views show typical installation on extruded aluminum louver - formed steel louver similar.



**Building Exterior View**



**Side Views**



**Building Interior View**

Blank Off (1/1) August 2021

\* Expanded polystyrene

Information is subject to change without notice or obligation.

**NOTE:** Dimensions in parentheses ( ) are millimeters.