

Application

Model DMHT access doors employ a fully removable dual-panel-door to provide a convenient and economical means to obtain access to components in ductwork utilized in low, medium, and high pressure and velocity applications exposed to high temperatures.

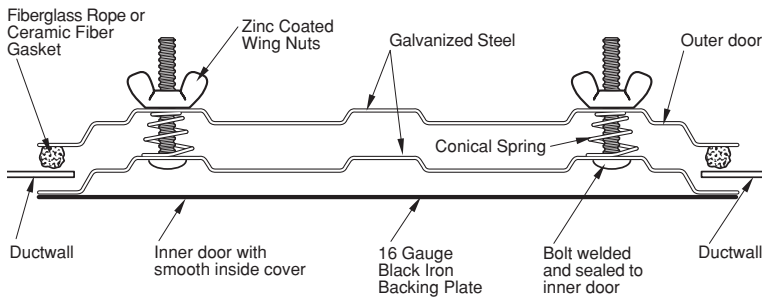
Standard Construction

Door Panel: 22 ga. (0.85) [20 ga. (1.0) for doors > 12" x 8" (305 x 203)] galvanized steel with 16 ga. (1.5) black iron backing plate – precision stamped.

Gasket: Fiberglass rope - door to duct.

Knobs: Zinc coated wing nuts – hand adjustable.

Available Sizes: 10" x 6" (254 x 152)
12" x 8" (305 x 203)
18" x 14" (457 x 356)
24" x 18" (610 x 457)

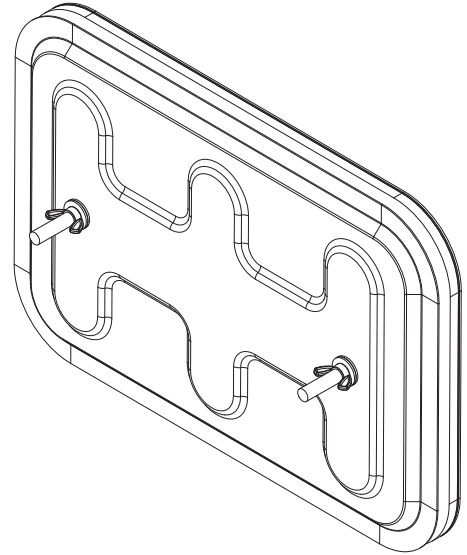


Ratings

Maximum System Pressure: + 20" wg. (+5.0 kPa), -10" wg. (-2.5 kPa).

Leakage: None

Maximum Temperature: 1000°F (538°C)



Model **DMHT-1000**
(standard)