

Application

The Slot Mount Operator is an option intended to be installed inside the linear slot plenum box. The Slot Mount Operator should be connected and installed by others inside the plenum box of a linear slot diffuser and used to adjust airflow inside the duct through a flexible cable connected to an air control damper RCS-10 and RCS-10R.

Installation

1. The Slot Mount Operators are made and delivered as 5-part kits as seen in Figure 1. Prior to the installation, read the provided installation instructions carefully.
2. Install the bar stock into the coupler and then secure the bar stock-coupler assembly on the bracket using the push-on retainer as seen in Figure 2.
3. Drill a 1/4" (6) hole into the plenum and run the flexible cable through. Install the flexible cable into the coupler and secure the bracket on the slot plenum box wall using provided #10 TEK screws 1" (25) from the edge inside the plenum as seen in Figure 3 detail.
4. Adjust the damper as needed using a 1/2" (5) socket or the optional RCS adjustment tool available as an accessory with the damper.

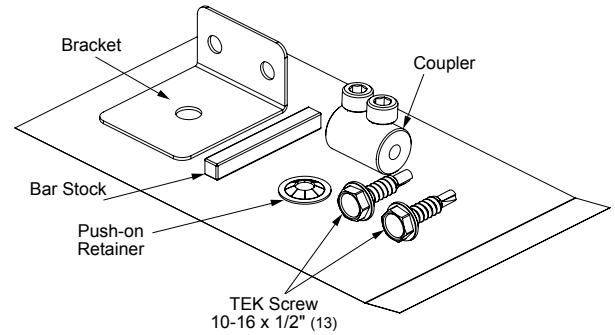


Figure 1

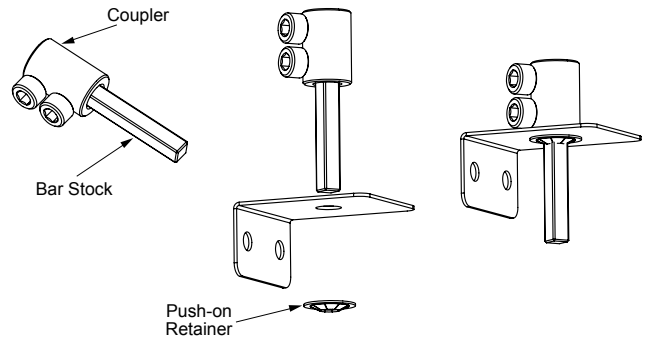


Figure 2

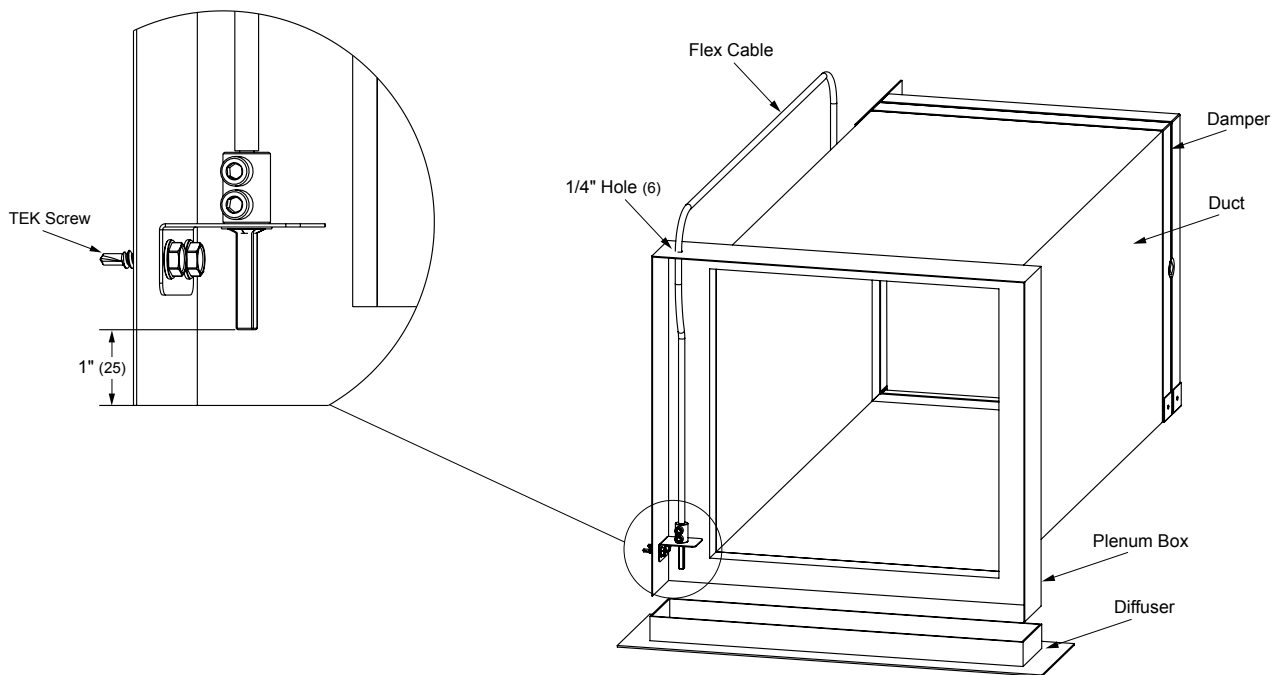


Figure 3 Final Installation