

Application

CD-21R and CD-22R control dampers employ a sturdy round frame and triple V blades for automatic air control and manual balancing in low to medium pressure and velocity applications.

Standard Construction

Frame: 2" x 16 ga. (51 x 1.6) Model CD-21R; 3" x 16 ga (76 x 1.6) [12 ga. (2.8) for D > 24" (610)] Model CD-22R; galvanized steel.

Blades: Model CD-21R (single blade): 14 ga. (2.0) equivalent galvanized steel-round
Model CD-22R (opposed blade): 16 ga (1.5) galvanized steel-triple V

Axles: 1/2" (13) diameter plated steel.

Linkage: Concealed in frame.

Bearings: Synthetic

Control Shaft: 1/2" x 3" (13 x 76) drive axle.

Minimum Size: Model CD-21R (single blade): 5" Ø (127 Ø)
Model CD-22R (opposed blade): 12" Ø (305 Ø)

Maximum Size: Model CD-21R (single blade): 24" Ø (610 Ø)
Model CD-22R (opposed blade): 36" Ø (914 Ø)

Options

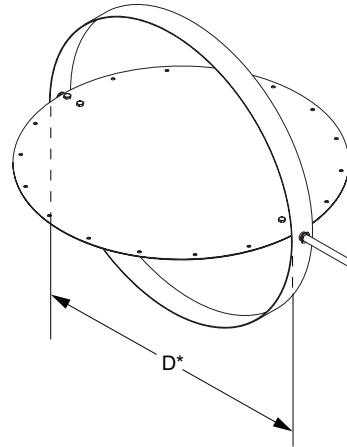
- Factory installed external mount actuator: (requires sleeve option).
 - Manual locking quadrant (supplied loose, sleeve not required).
 - 24 VAC 120 VAC 230 VAC
 - Pneumatic Modulating
- Factory installed sleeve: 12" x 20 ga. (305 x 1.0) Std.
 - Gauge: 20 (1.0) 16 (1.6)
 - Length: 6" (152) 8" (203) 10" (254) Other__
- Actuator Mounting Bracket (sleeve required).
- Actuator/Quadrant standoff bracket - accommodates up to 1" (25) thick insulated duct.
- Low leakage seals.
- Stainless steel oilite bearings.
- Type-304 stainless steel construction.
- Type-304 stainless linkage - model CD-22R only.

Ratings

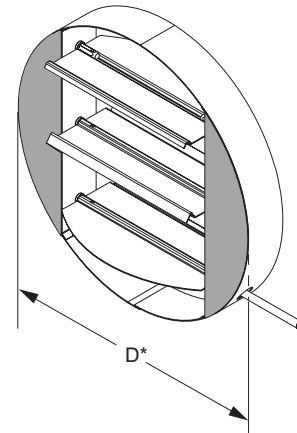
Maximum System Velocity: 1500 fpm (7.7 m/s)

Maximum System Pressure: 1.0 in. wg (0.25 kPa) for Model CD-21R;
2.5 in. wg (0.62 kPa) for Model CD-22R.

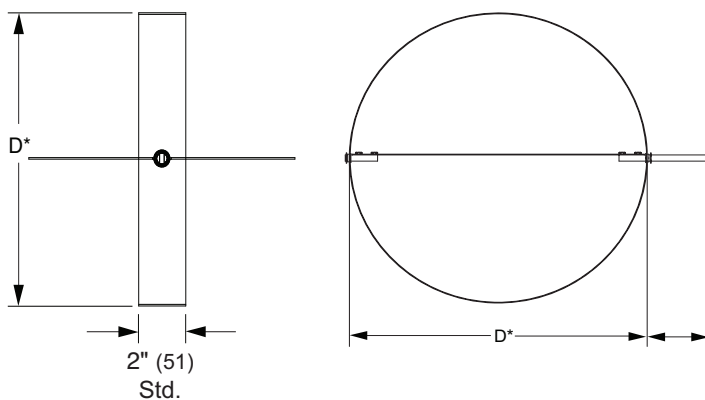
Temperature: -25°F to 180°F (-32°C to 83°C)



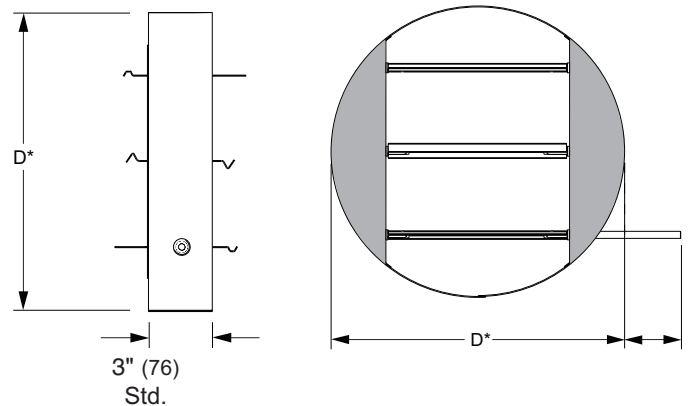
Model **CD-21R**
(standard)
(single blade type)



Model **CD-22R**
(standard)
(opposed blade type)



Side/Front View
(single blade)



Side/Front View
(opposed blade)

*Damper dimensions furnished approximately 1/4" (6) undersize.

Information is subject to change without notice or obligation.

NOTE: Dimensions in parentheses () are millimeters.