

Application and Design

For 1" (25) or 2" (51) deep filters, rear loaded. For use with extruded aluminum louver models.

Standard Construction

Material: 0.063 (1.6) aluminum.

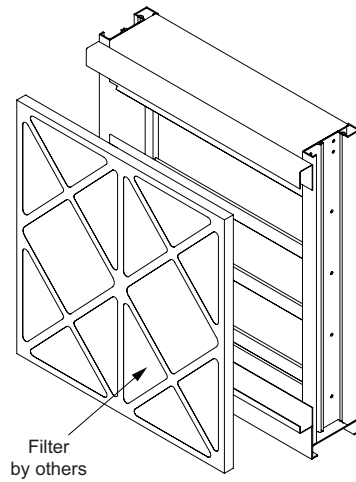
Finish: Same finish as specified with louver.

Minimum Size: See appropriate louver minimum.

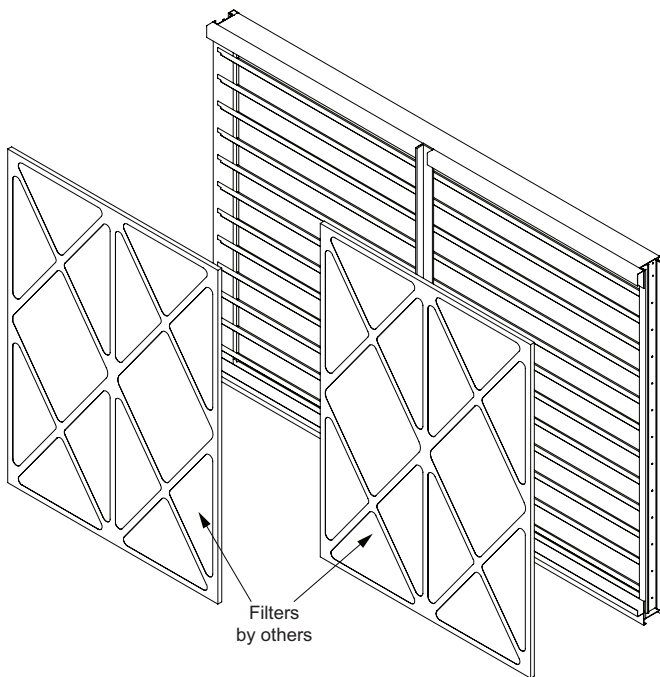
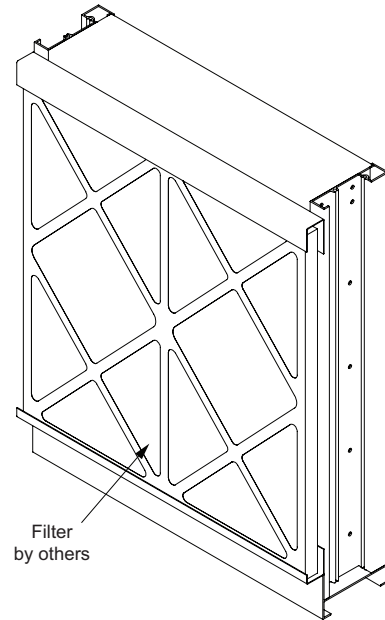
Maximum Size: See appropriate louver maximum.

Typical Details

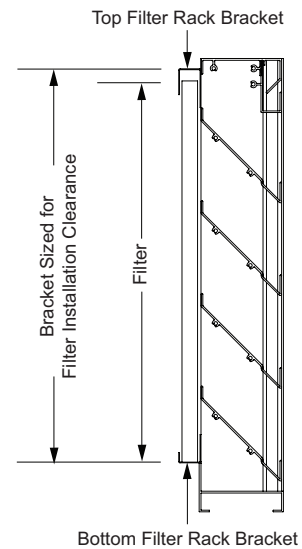
Views shown with 1" (25) deep filter rack.



Exploded View



Exploded View
Multi-Section, Multi-Filter



Side View