

Application

Pottorff fire and combination fire smoke dampers are approved for installation with manufactured flange systems by Ductmate, Ward, Nexus, MEZ and TDC or TDF flange system. Connections may be between like systems or mixed. These flange systems permit installation with metal cleats, plastic cleats, or #10 screws; Butyl or Neoprene gasket, and bolted or non-bolted corners.

General Installation

1. Install the manufactured flange system onto the damper sleeve or duct per the manufacturer's instructions.
2. Neoprene or Butyl gasket may be applied to the mating surfaces to seal the two flange systems together.
3. Align the two flange systems together. A 3/8" (9) bolt may be used in the corners to help with alignment and attachment. These bolts do not have to be removed.
4. Install the plastic or metal cleat (Figure 1) or #10 tek screw (Figure 2), approximately equally spaced, per the following schedule.

Width (w) or Height (h)	Cleat or Screw Qty
w or h < 24" (610)	1 per side
24" (610) ≤ [w or h] < 36" (914)	2 per side
36" (914) ≤ [w or h] < 54" (1372)	3 per side
54" (1372) ≤ [w or h] < 72" (1829)	4 per side
w or h ≥ 72" (1829)	5 per side

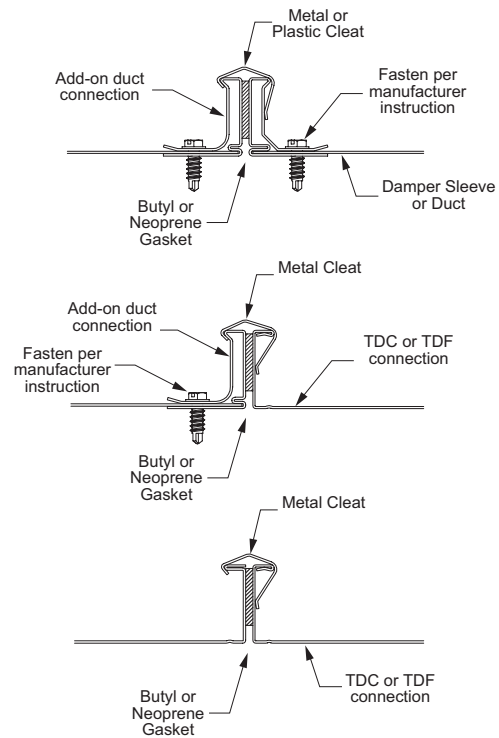


Figure 1 - Installation with Cleats

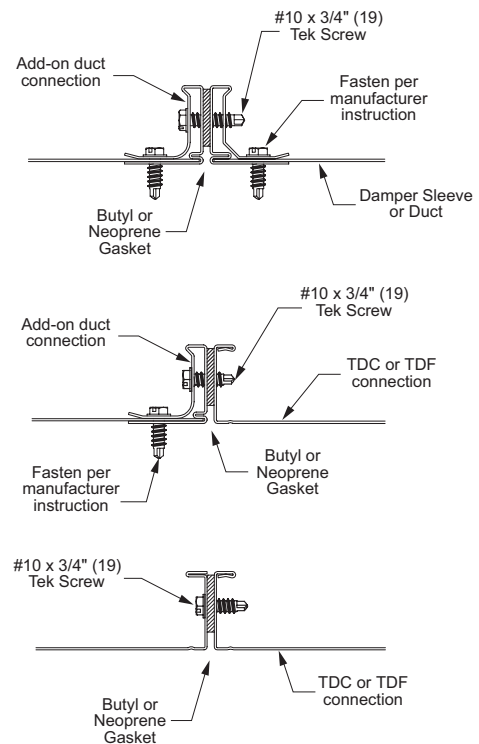


Figure 2 - Installation with #10 Tek Screws

