

## Application and Design

1" (25) glazing frame for window or curtainwall systems. For use with 2", 4", 5" and 6" (51, 102, 127 and 152) extruded aluminum louver models except MD (Miami-Dade) and FBC (Florida Building Code) models.

## Standard Construction

**Material:** 0.081" (2) thick 6063-T5 extruded aluminum.

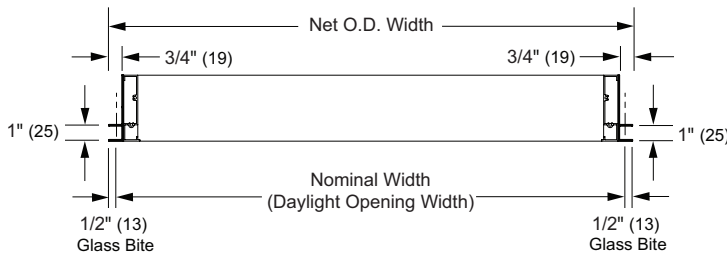
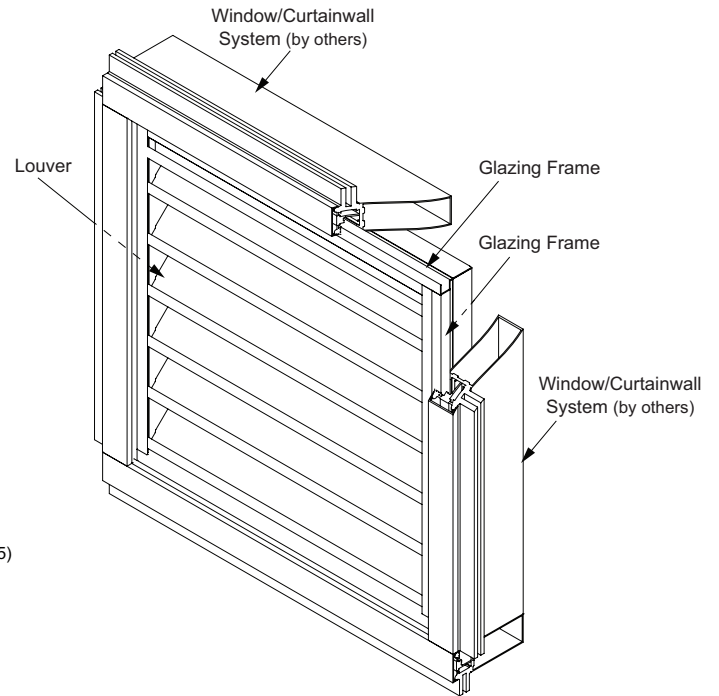
**Finish:** To match louver finish.

**Minimum Size:** See appropriate louver minimum.

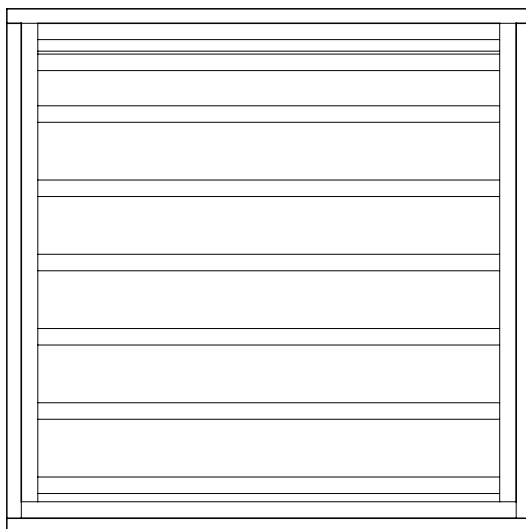
**Maximum Size:** See appropriate louver maximum.

## Typical Details

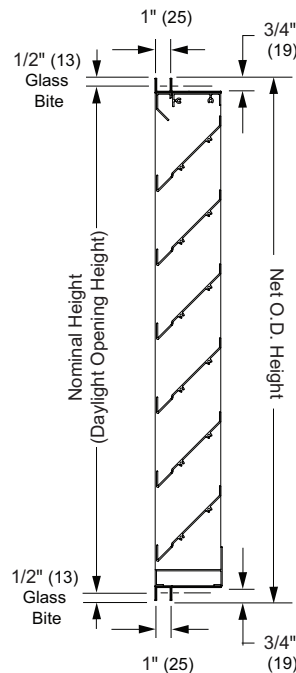
Top, Front, and Side view shown without Window/Curtainwall.



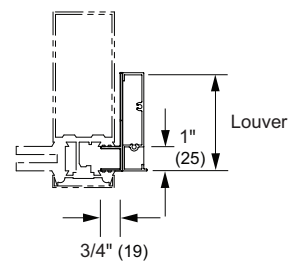
**Top View**



**Front View**



**Side View**



**Plan View**