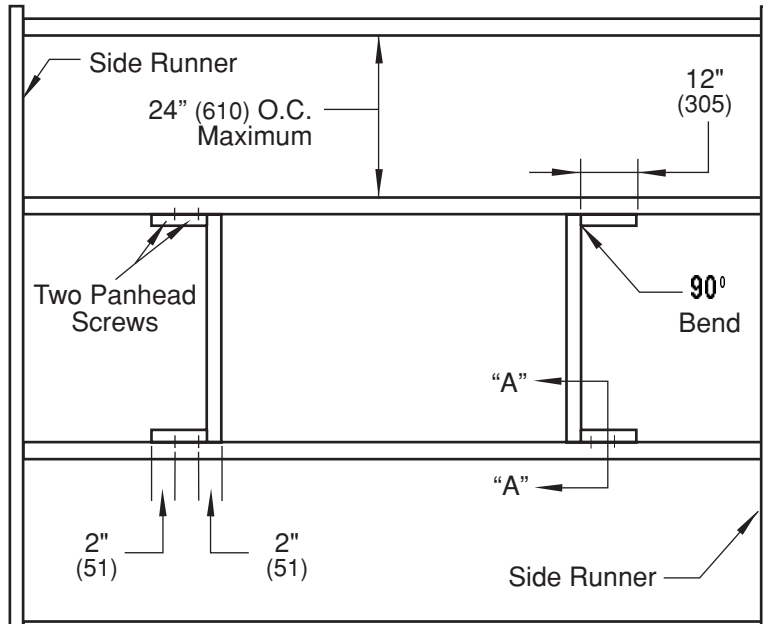
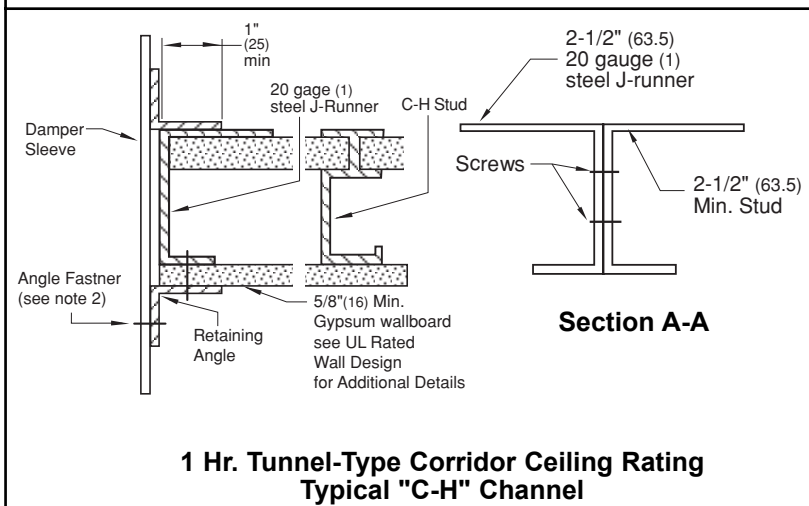
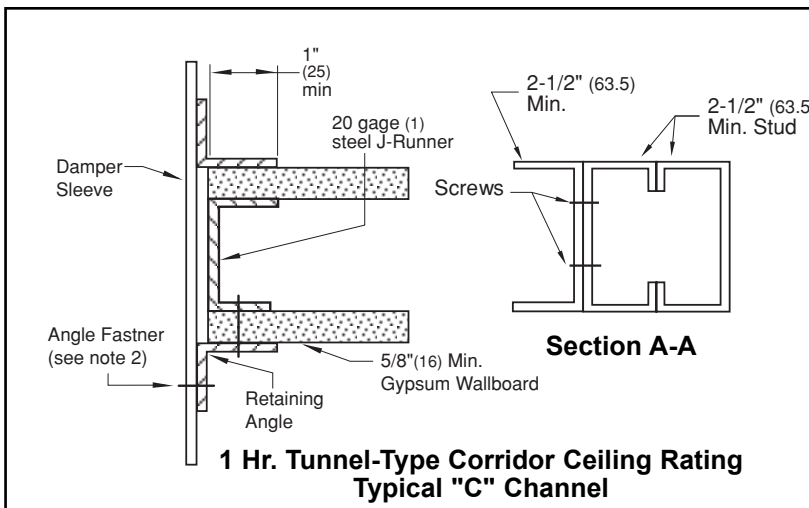
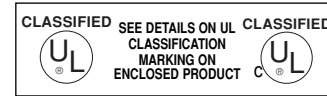


The following installation details apply to models **CFS-171, CFS-172, FSD-171, FSD-171-OP, FSD-172** and **FSD-172-OP**



Opening Preparation Detail - Top View -



NOTES

- Gypsum panels must be attached, 12" (305) O.C. maximum, to all stud and runner flanges surrounding opening with a minimum of 1-5/8" (41) drywall screws.
- Mounting angles shall be a minimum of 1-1/2" x 3/4" x 20 gauge (38 x 19 x 1). The angles shall be attached to the sleeve, not the partition, with a minimum of 3/16" (4.8) steel rivets, Quick-Lock Joints, welds, or No. 10 (M5) bolts or sheet metal screws at 12" (305) O.C. maximum. A minimum of two connections per side, top, bottom. Mounting angles shall overlap the wall a minimum of 1" (25). A minimum 3/4" x 20 gauge (19 x 1) flange termination may be used in lieu of mounting angles on the corridor side of the damper sleeve. Refer to Sleeve Termination Supplemental Installation Instructions for further details.
- See Tunnel-Type Corridor Ceiling Installation Instruction sheet for additional details.