

**Figure 1:** Single Mounting Angle Over Drywall with Wood Stud  
(Cutaway shown for illustration purposes only)

### Application

All Pottorff 1-½ (38) hour rectangular fire and fire-smoke dampers may use single-side mounting angles in lieu of conventional 2-sided mounting angles. Single-side mounting angles may be field fabricated or factory-supplied and may be installed in metal stud, wood stud, concrete or masonry partitions.

### Maximum Size

**Vertical:** 80" wide x 96" high (2032 x 2438), and not exceeding 26.67 square feet in area.

**Horizontal:** 144" wide x 96" high (3658 x 2438).

**Note:** Size shall not exceed damper model size limits.

### General Notes

**A.** Install dampers in accordance with the appropriate damper installation instructions sheet. Replace conventional 2-side mounting angles with single-sided mounting angles as appropriate.

**B. Vertical:** Single-side mounting angles shall be a minimum of ¾" x 1-½" tall x 20 gauge (19 x 38 x 1.0) steel. For metal stud partitions only, the single-side mounting angles may be attached to the metal stud prior to installation of the drywall. See Figure 3.

**Horizontal:** Single-side mounting angles shall be a minimum of 1-½" x 1-½" tall x 16 gauge (38 x 38 x 1.5) steel.

**C.** Attach single-side mounting angles to the damper sleeve and the partition with a minimum of: No.10 (M5) steel screws or bolts, ⅜" (4.8) diameter steel rivets, Quick-lock joints or welds. For concrete or masonry partitions attach the angles with a minimum of No. 10 (M5) steel fasteners: anchors, bolts or self-tapping masonry screws. There must be a minimum of two connections per side, on all four sides. Ensure that the attachment device does not interfere with the operation of the damper and the free movement of the damper blades.

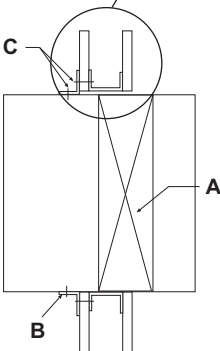
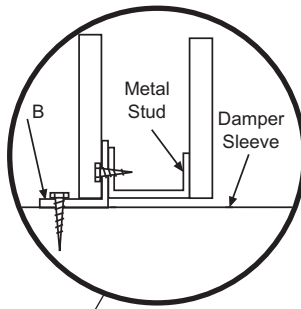
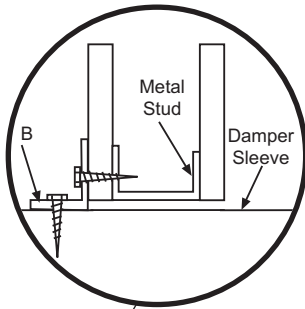
**Vertical:** Attach mounting angles to the sleeve and the partition at 12" (305) o.c. maximum.

**Horizontal:** Attach mounting angles to the sleeve at 6" (152) o.c. maximum, and to the partition at 24" (610) o.c. maximum.

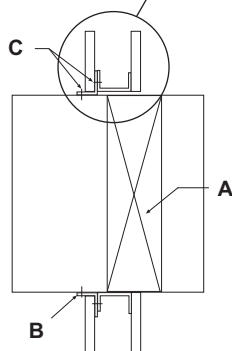
**Note:** The annular space between damper sleeve and wall opening must not be filled with firestop materials such as fill, void, or cavity materials. However, if optional sealing between the mounting angle (or flange) leg and the surface of the partition, wall, or floor and/or between the mounting angle leg and the surface of the damper sleeve is required, any of the following sealants may be used: Dow Corning 700 or 732 or DOWSIL 700 or 732 or GE RTV 108 or SCS 1201 RTV. These sealants must be applied such that they do not intrude into the annular space between the outside surface of the damper sleeve and the opening of the partition, wall or floor into which the damper/sleeve is being installed.

Single Mounting Angle Over Drywall

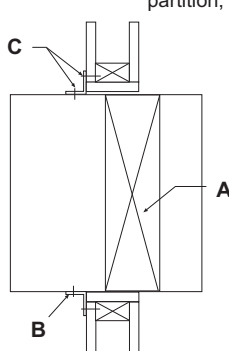
Single Mounting Angle UNDER Drywall  
\* Metal Stud Only



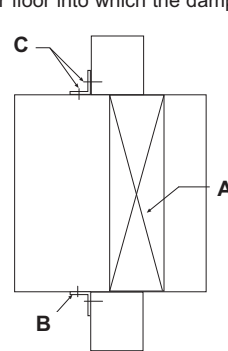
**Figure 2:** Metal Stud



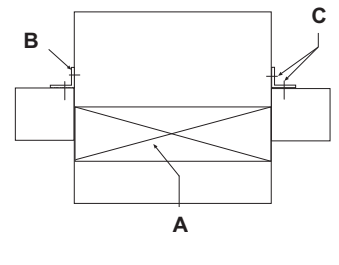
**Figure 3:** Under Drywall Installation  
(Metal Stud Only)



**Figure 4:** Wood Stud



**Figure 5:** Concrete or Masonry



**Figure 6:** Horizontal Installation  
Concrete or Masonry only