

Application and Design

Minimum 1/2" (13), maximum 3" (76) width (height) stucco flange used to secure louver in a stucco wall opening prior to applying the stucco finish. For use with extruded aluminum and formed steel louver models except MD (Miami-Dade) and FBC (Florida Building Code) models.

Standard Construction

Material: Minimum 0.060" (1.5) thick 6063-T5 extruded aluminum for aluminum louvers or 20 ga. (1.0) galvanized steel for formed steel louvers.

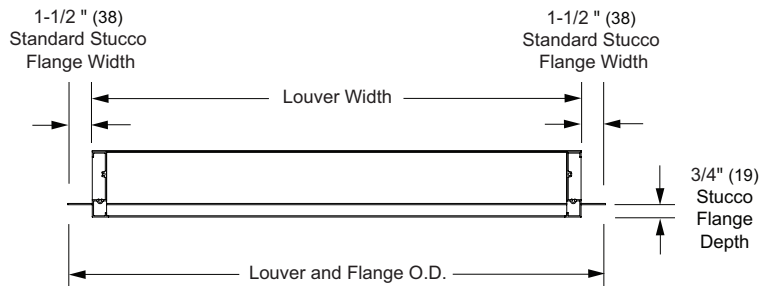
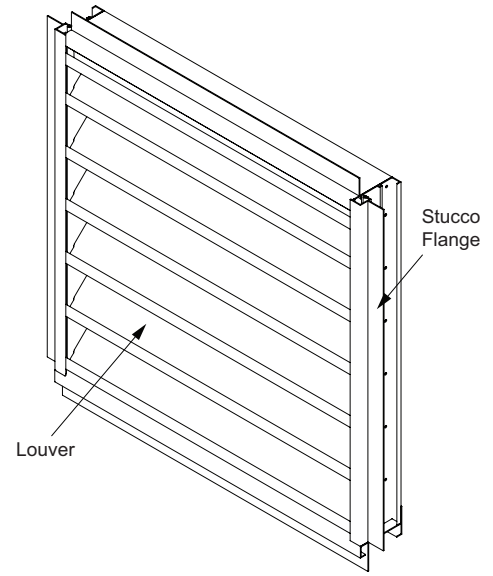
Finish: To match louver finish.

Minimum Size: See appropriate louver minimum.

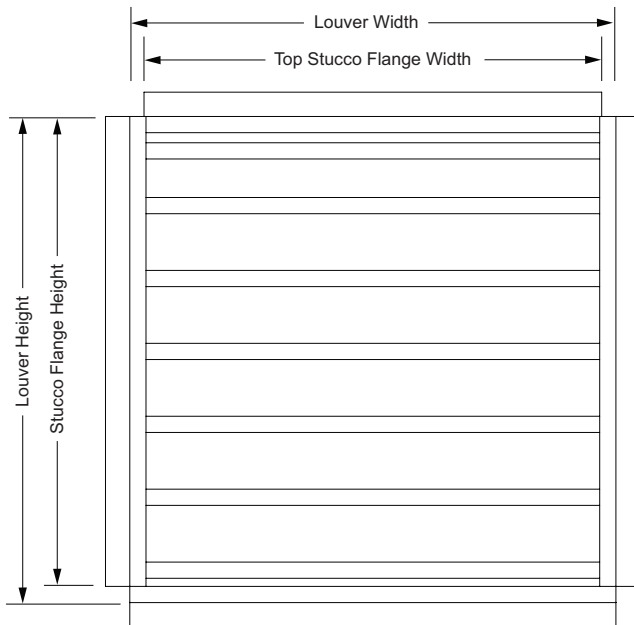
Maximum Size: See appropriate louver maximum.

Typical Details

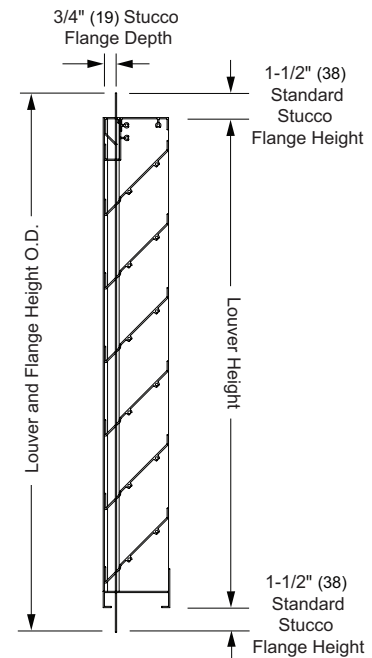
Top, Front, and Side view shown with standard flange width and depth on extruded aluminum louvers - formed steel louvers similar.



Top View



Front View



Side View

Stucco Flange ISF (1/1) August 2012