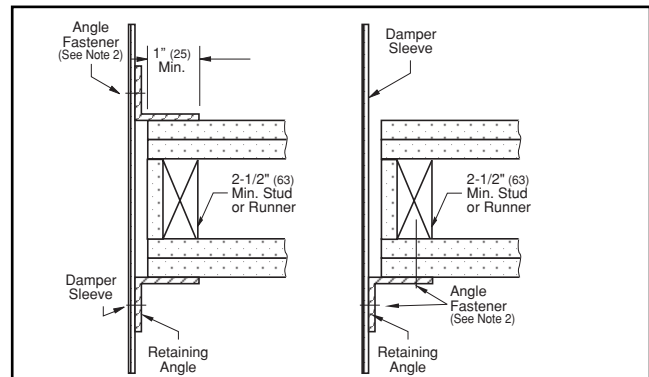


### Opening Preparation Detail

#### NOTES

- Gypsum panels must be fastened 12" (305) O.C. maximum to all stud and runner flanges surrounding opening.
- Mounting angles shall be a minimum of ¾" x 1-½" tall x 20 gauge (19 x 38 x 1.0). For opening sizes ≤ 80" wide (2032), 96" high (2438), and not exceeding 26.67 square feet in area retaining angles are only required on one side of the partition and must be attached to the sleeve and the partition. For larger openings (or optional on smaller openings), 1-½" x 1-½" x 16 gauge (38 x 38 x 1.5). retaining angles are required on both sides of the partition and must be attached to the sleeve. Attachment to the sleeve shall be with No. 10 (M5) screws or bolts, 3/16" (4.8) diameter steel rivets, Quick-Lock joints or welds, at 12" (305) o.c. maximum. Attachment to partition/opening shall be with min. #10 fasteners with a minimum length as follows: For wood stud openings, the min. length is 1-½" longer than the thickness of drywall on the attachment side. The fasteners in the partition should be located such that they are ½" below the top of the 1-½" flange of the retaining angles. Fasteners in the partition should be spaced 12" o.c. max. A minimum of two connections per side, top and bottom. A minimum ¾" x 20 gauge (19 x 1) flange termination may be used in lieu of mounting angles. Refer to Sleeve Termination Supplemental Installation Instructions and Framing for Fire Dampers for further details. Ensure that attachment device does not interfere with the operation of the damper and the free movement of the damper blades.
- All fasteners to be per U.L. Classified wall design.
- See standard damper installation instruction sheets for additional details.

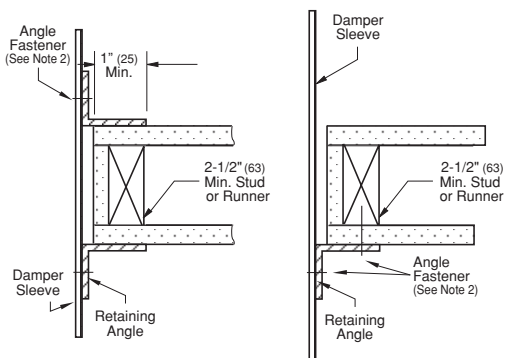


Two-Side System

Single-Side System

For Openings ≤ 80" x 48" (2032x1218)  
40" x 96" (1016x2438)

### Wall with Two Layers of Drywall



Two-Side System

Single-Side System

For Openings ≤ 80" x 48" (2032x1218)  
40" x 96" (1016x2438)

### Wall with Single Layer of Drywall