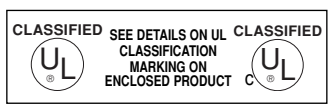
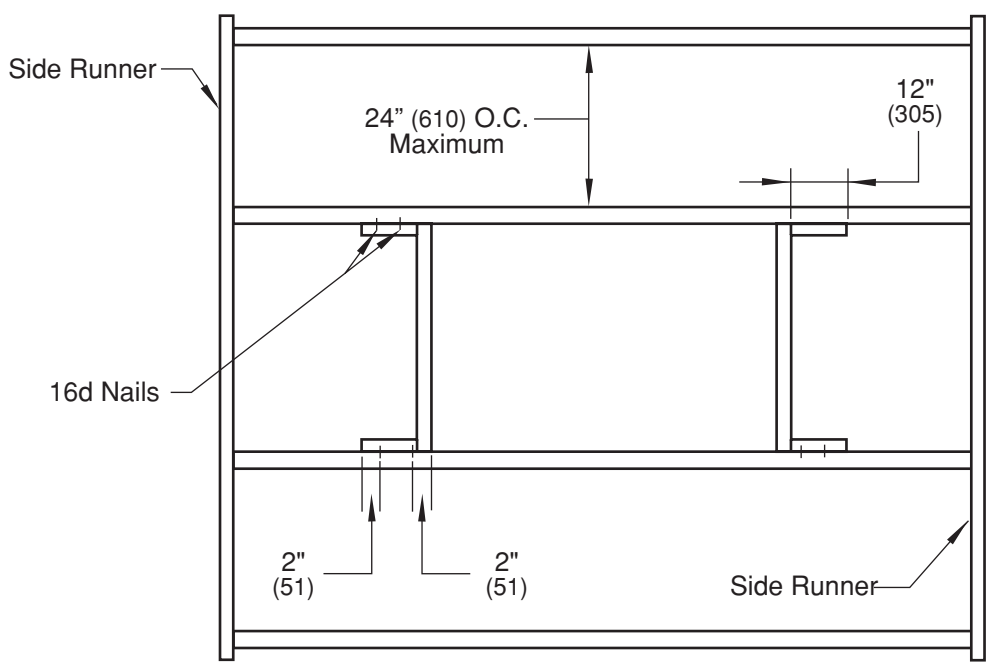


POTTORFF® wood stud framing in tunnel-type corridor ceilings

1 hour — combination fire smoke dampers installation instructions

The following installation details apply to models **CFS-171, CFS-172, FSD-171** and **FSD-172**



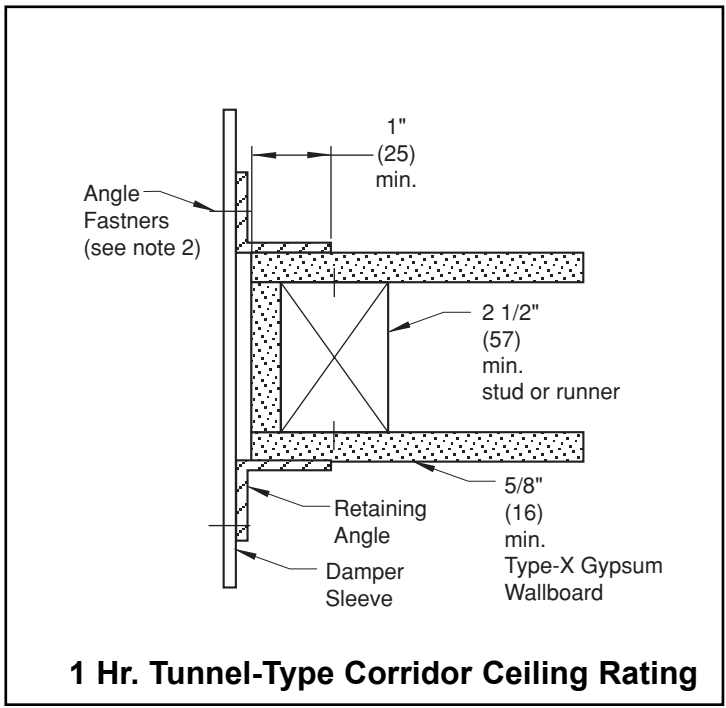
TESTED PER U.L. 555



Opening Preparation Detail - Top View

NOTES

1. Gypsum panels must be attached, 12" (305) O.C. maximum, to all stud and runner flanges surrounding opening with a minimum of 1-⁵/₈" (41) drywall screws or 6d nails.
2. Mounting angles shall be a minimum of 1-¹/₂" x ³/₄" x 20 gauge (38 x 19 x 1). The angles should be attached to the sleeve, not the partition, with a minimum of No.10 (M5) sheet metal screws, or welds, or ¹/₄" x 20 gauge (6 x 1) bolts at 6" (152) o.c. maximum. A minimum of two connections per side, top, bottom. Mounting angles shall overlap the wall a minimum of 1" (25). A minimum ³/₄" x 20 gauge (19 x 1) flange termination may be used in lieu of mounting angles on the corridor side of the damper sleeve. Refer to Sleeve Termination Supplemental Installation Instructions for further details.
3. See Tunnel-Type Corridor Ceiling installation instruction sheet for additional details.



1 Hr. Tunnel-Type Corridor Ceiling Rating

Fire and Fire Smoke Dampers IIWSTC July 2009