

Application

BD-20R backdraft dampers employ gravity operated butterfly style blades to restrict reverse airflow and to permit the forward flow of air in the intended direction. The BD-20R damper may be mounted vertically or horizontally in either exhaust or intake installations for low velocity and pressure applications.

Standard Construction

Frame: 24 ga. (0.70) [22 ga (0.85) for $D \geq 14"$] galvanized steel.

Blades: 24 ga. (0.51) [26 ga (0.40) for $D \geq 14"$] aluminum - butterfly

Seals: Rubber blade edge seals.

Minimum Size: 4" \varnothing (102 \varnothing)

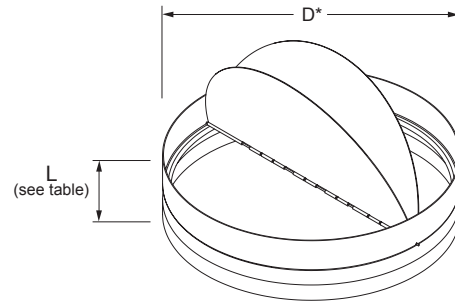
Maximum Size: 16" \varnothing (406 \varnothing)

Ratings

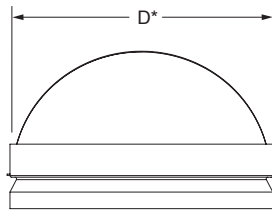
Maximum System Velocity: 1000 fpm (5.1 m/s)

Maximum System Pressure: 1 in. wg (0.25 kPa)

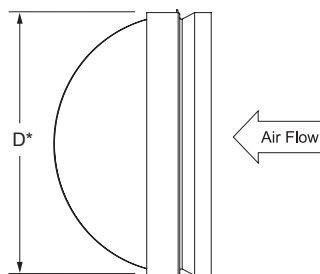
Temperature: -20°F to 130°F (-29°C to 54°C)



Model **BD-20R**
(standard)



Horizontal Mount
(up flow only)



Vertical Mount

Frame Table Length	
Damper Diameter	Frame Length 'L'
D = 4" (102)	3.25" (83)
4" (102) < D ≤ 8" (203)	3.125" (79)
8" (203) < D ≤ 12" (305)	3" (76)
12" (305) < D ≤ 16" (406)	6.375" (162)