

Application

The CFD-20 ceiling radiation damper employs a folded curtain style blade for point-of-origin control of radiant heat in HVAC systems. The CFD-20 is installed horizontally in the ceiling membrane of floor-ceiling or roof-ceiling assemblies with fire resistance ratings up to and including 3 hours.

Standard Construction

Frame: 22 gauge (0.85) galvanized steel.

Blades: Folded ceramic curtain.

Fire Closure Device: Fusible link.

Fire Closure Temperature: 165°F (75°C).

Minimum Size: 4" × 4" (102 × 102)

Maximum Size: 24" × 24" (610 × 610)

Options

- Factory installed sleeve.
- Transitions:
 - Round Oval
 - Top Bottom
 - Collar depth: 2" (51) Std. 4" (102)
 - Blank-off (top only)
- Plaster Ground 5/8" (16) deep × 5/8" (16) wide Std.
 - 1 1/4" (32) deep × 1 1/4" (32) wide
 - 2" (51) deep × 5/8" (16) wide 4" (102) deep × 5/8" (16) wide
- Flanged: 3/4" (19) Std. 1" (25)
- Alternate 212°F (100°C) fire closure temperature.
- Thermal blanket for steel backed diffuser:
 - CRB-24 (Ceramic refractory blanket).
- WHI installation angle set:
 - 2-20 ga. (1.0) angles 1" × 1/2" × 28" long (25 × 13 × 711)
 - 2-20 ga. (1.0) angles 1" × 1/2" × 3" long (25 × 13 × 76)

Ratings

UL 555C Fire Resistance Rating: 3 hour (horizontal, for use in 1, 2 or 3 hour rated assemblies)

Listings

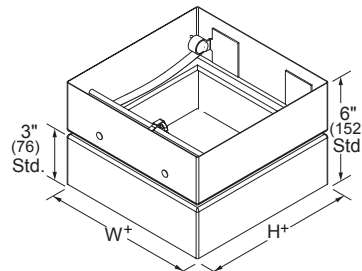
UL 555C listing: R14603

CSFM listing: 3226-0368:104

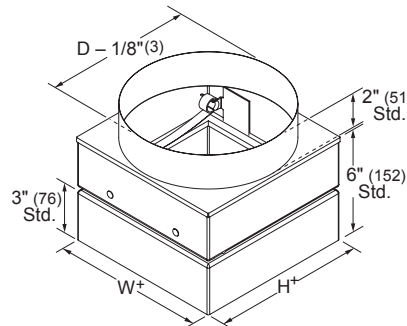
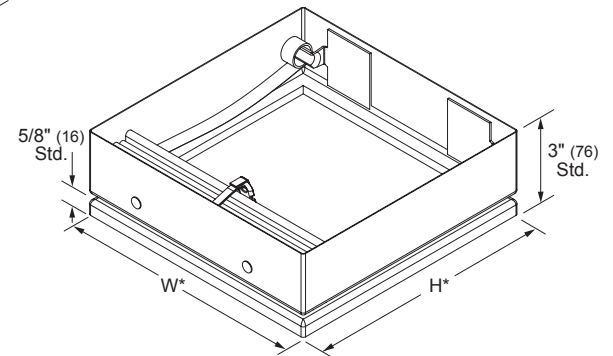
Warnock Hersey listing #: WHI-495-PSH-0177, -0178

Meets NFPA Standards: 90A and 101

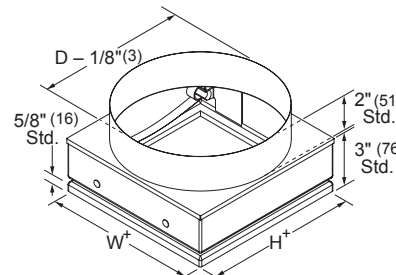
Meets Building Code Standards: IBC, NBC, NFPA, SBC and UBC



Sleeve (optional)



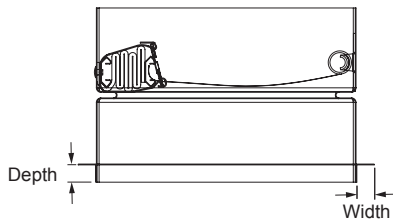
Sleeve Type R
(top, optional)
Round duct transition on top.



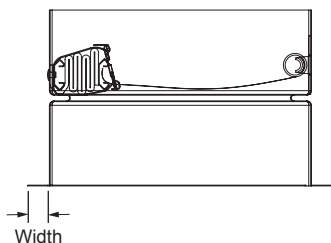
Type R
(top, optional)
Round duct transition on top.

Model CFD-20 (standard)

*Damper dimensions furnished approximately 1/4" (6) undersize.



Sleeve (optional)
With standard plaster ground.



Sleeve (optional)
With standard flange.