

Application

The EAJ-437 extruded aluminum acoustical louver incorporates a J-blade and is designed for intake and exhaust applications where space is limited. The EAJ-437 is available in a wide array of finishes including custom color matching.

Standard Construction

Material: Mill finish 6063-T5 extruded aluminum.

Frame: 4" deep × 0.081" thick (102 × 2) channel.

Blades: 37° × 0.081" (2) thick J-style with a 26 ga. (0.55) thick perforated backing packed with noncombustible insulating material.

Screen: 1/2" × 0.063" (12.7 × 1.6) expanded and flattened aluminum.

Screen Frame: Removable.

Mullion: Visible.

Minimum Size: 12" × 12" (305 × 305)

Maximum Size: Single section: 60" × 120" (1524 × 3048)
Multiple section: Unlimited

Options

- Factory finish:
 - High Performance Fluoropolymer - 100% resin Newlar®/ 70% resin Kynar®
 - Baked Enamel
 - Clear or Color Anodized, Class 1
 - Prime Coat
- 1 1/2" (38) flange frame.
- Welded construction.
- Alternate bird or insect screens.
- Alternate removable one-piece U-channel screen frame.
- Insulated or non-insulated blank-off panels.
- Filter racks.
- Hinged frame.
- Head and/or sill flashing.

Ratings

Free Area: [48" × 48" (1219 × 1219) unit]: 5.4 ft² (0.50 m²)
33.8%

Performance @ Beginning Point of Water Penetration

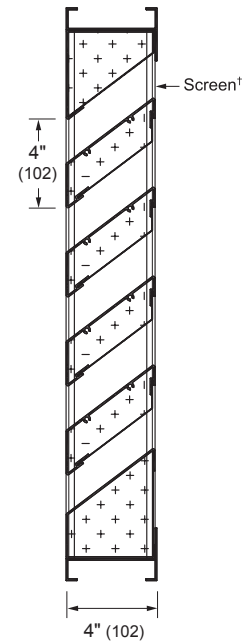
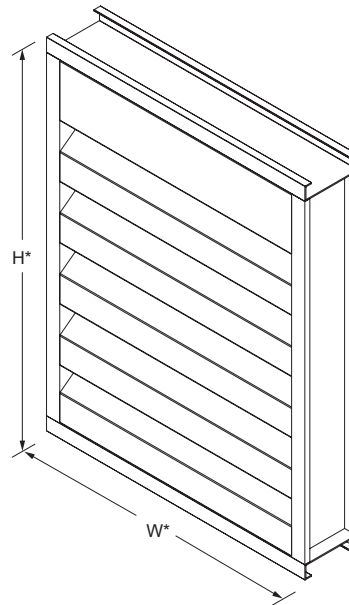
Free Area Velocity: 740 fpm (3.76 m/s)
Air Volume Delivered: 3996 cfm (1.89 m³/s)
Pressure Loss: 0.06 in.wg. (15 Pa)

Velocity @ 0.15 in.wg. Pressure Loss: 1125 fpm (5.72 m/s)

Design Load: 30 psf

Acoustical Performance:

| Octave Band | 2 | 3 | 4 | 5 | 6 | 7 |
|-------------------|-----|-----|-----|------|------|------|
| Center Freq. (hz) | 125 | 250 | 500 | 1000 | 2000 | 4000 |
| Transmission Loss | 2 | 2 | 4 | 8 | 9 | 7 |
| Noise Reduction | 11 | 10 | 12 | 17 | 18 | 17 |

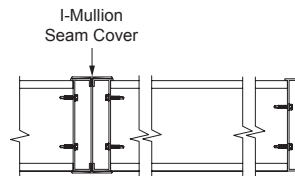


Model **EAJ-437**
(standard)

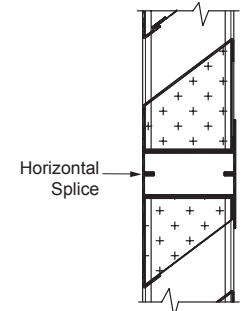
*Louver dimensions furnished approximately 1/2" (13) undersize.

Vertical Section

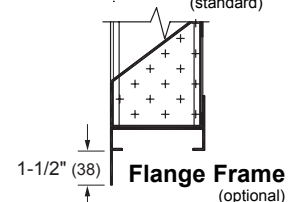
†Screen adds approximately 3/16" (5) to louver depth.



Vertical Mullion
(standard)



Horizontal Mullion
(standard)



Flange Frame
(optional)

Information is subject to change without notice or obligation.

NOTE: Dimensions in parentheses () are millimeters.