

Application

The EBV-145 brick vent is used primarily on renovation projects and incorporates a 1" (25) face flange. Brick vents provide a permanent means of gravity ventilation for crawl spaces, hung ceilings, incinerator rooms, chimney flues, foundations, pipe spaces, and corridors and are not intended to protect against driven rain conditions.

Standard Construction

Material: Mill finish 6063-T5 extruded aluminum.

Frame: 1½" deep × 0.125" thick (38 × 3) with 1" (25) face flange.

Blades: 45° × 0.125" (3) thick J-style.

Screen: 18 × 14 mesh aluminum insect screen.

Minimum Size: 4" × 2⅜" (102 × 60)

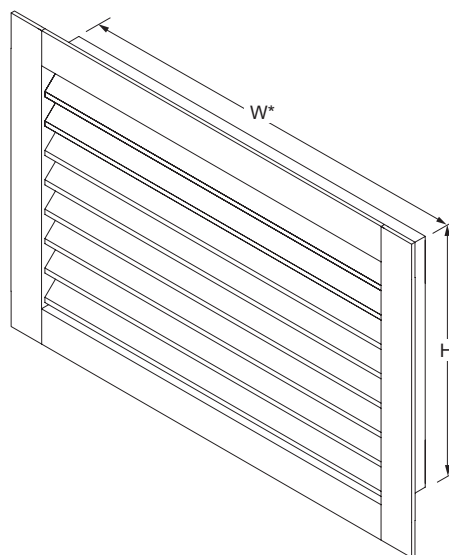
Maximum Size: 48" × 24" (1219 × 610)

Options

- Factory finish:
 - High Performance Fluoropolymer - 100% resin Newlar®/70% resin Kynar®
 - Baked Enamel
 - Clear or Color Anodized, Class 1
 - Prime Coat

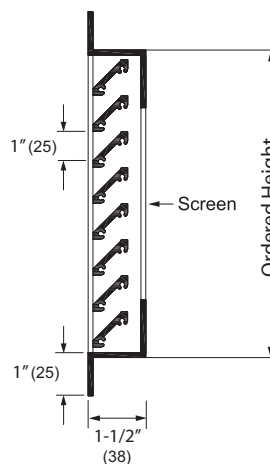
Standard Sizes (W × H)

8⅞" × 2⅜" (216 × 60)	16½" × 2⅜" (419 × 60)
8⅞" × 4¾" (216 × 121)	16½" × 4¾" (419 × 121)
8⅞" × 7¼" (216 × 186)	16½" × 7¼" (419 × 186)
12" × 2⅜" (305 × 60)	16½" × 15¾" (419 × 400)
12" × 4¾" (305 × 121)	24" × 2⅜" (610 × 60)
12" × 7¾" (305 × 186)	24" × 4¾" (610 × 121)
12" × 11¾" (305 × 298)	24" × 7¾" (610 × 186)
15⅝" × 7¼" (397 × 186)	32" × 7¾" (913 × 186)
15⅝" × 15¾" (397 × 400)	48" × 7¾" (1219 × 186)

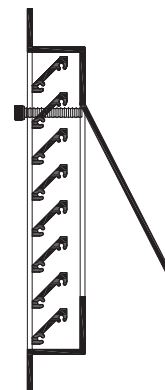


Model **EBV-145**
(standard)

*Fastener heads add a combined ¼" (6) to the ordered width.



Vertical Section
(standard)



Flap Blade Damper
(optional)