

## Application

The ERD-645 recessed drainable blade louver combines the water penetration protection of standard drainable blades with a continuous drainable blade design by incorporating an ingenious recessed mullion and downspout. The ERD-645 is available in a wide array of anodized and painted finishes including custom color matching and is ideally suited for large width penetrations.

## Standard Construction

- Material:** Mill finish 6063-T5 extruded aluminum.
- Frame:** 6" deep × 0.081" (152 × 2) thick channel.
- Blades:** 45° × 0.081" (2) thick recessed drainable style.
- Screen:** 1/2" × 0.063" (12.7 × 1.6) expanded and flattened aluminum.
- Mullion:** Visible.
- Minimum Size:** 4.5" × 9" (114 × 229)
- Maximum Size:** Single section: 60" × 120" (1524 × 3048)  
 120" × 60" (3048 × 1524)  
 Multiple section: Unlimited

## Options

- Factory finish:
  - High Performance Fluoropolymer - 100% resin Newlar®/70% resin Kynar®
  - Baked Enamel
  - Clear or Color Anodized, Class 1
  - Prime Coat
- Hidden vertical mullion for continuous blade appearance.
- 1 1/2" (38) flange frame.
- Welded construction.
- Alternate bird or insect screens.
- Insulated or non-insulated blank-off panels.
- Filter racks.
- Hinged frame.
- Head and/or sill flashing.

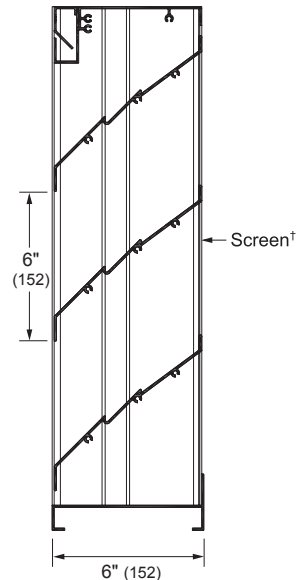
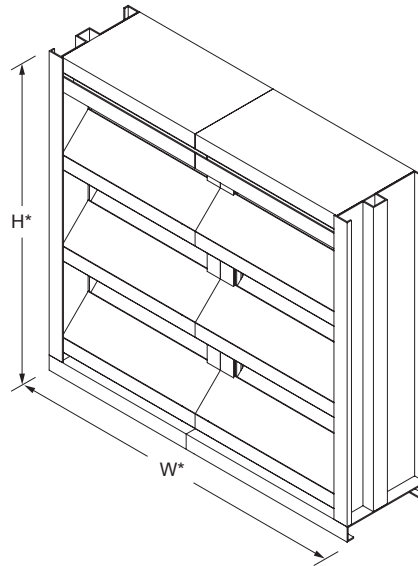
## Ratings

**Free Area:** [48" × 48" (1222 × 1222) unit]: 8.1 ft<sup>2</sup> (0.75 m<sup>2</sup>)  
 50.6%

### Performance @ Beginning Point of Water Penetration

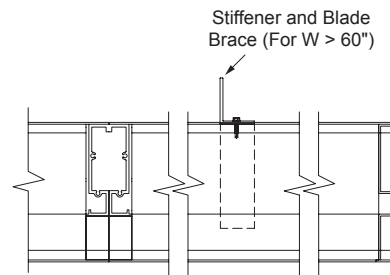
**Free Area Velocity:** 990 fpm (5.03 m/s)  
**Air Volume Delivered:** 8,059 cfm (3.80 m<sup>3</sup>/s)  
**Pressure Loss:** 0.11 in.wg. (27 Pa)

**Design Load:** 30 psf

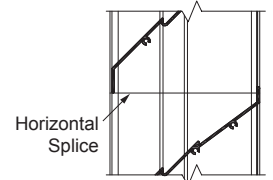


**Model ERD-645**  
 (standard)  
 \*Louver dimensions furnished  
 approximately 1/2" (13) undersize.

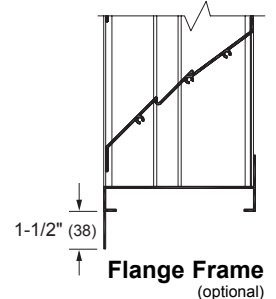
**Vertical Section**  
 †Screen adds approximately  
 3/16" (5) to louver depth.



**Hidden Vertical Mullion**  
 (standard)



**Horizontal Mullion**  
 (standard)



**Flange Frame**  
 (optional)

Extruded Aluminum Louvers **ERD645** (1/1) January 2010