

Application

The MX-30, MX-32 and MX-40 mixing dampers employ triple-V blades and a rugged channel frame for automatic air control and manual balancing in low to medium dual or multi-duct applications.

Standard Construction

Frame: 8" x 3/4" x 16" ga. (203 x 19 x 1.5) galvanized steel channel.

Blades: 6" x 16 gauge (152 x 1.5) galvanized steel — triple-V.

Axles: 1/2" (13) diameter plated steel hex.

Linkage: Concealed in frame.

Bearings: Synthetic

Seals: PVC blade edge seals and flexible metal jamb seals.

Control Shaft: 1/2" x 5" (13 x 127) round drive axle with shaft support bracket.

Minimum Size: Model MX-30 and MX-32: 5" x 4" (127 x 102)
Model MX-40: 5" x 5" (127 x 127)

Maximum Size: Single section:
Model MX-30 and MX-32: 36" x 24" (914 x 610)
Model MX-40: 72" x 48" (1829 x 1219)
Multiple sections: Model MX-40 only: Unlimited

Options

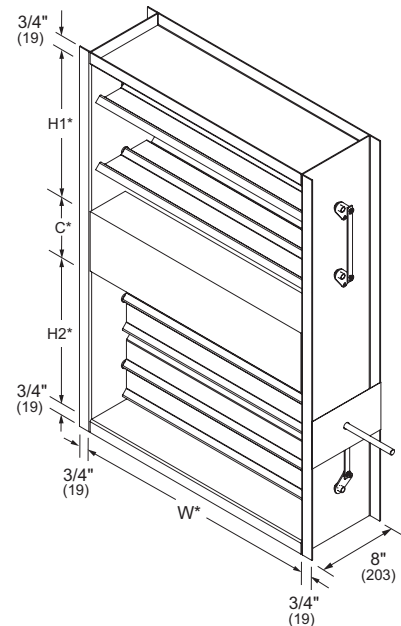
- Factory installed external mount actuator:
 - 24 VAC 120 VAC 230 VAC
 - Pneumatic Modulating
- Stainless steel oilite sleeve-type bearings.
- Type-304 stainless steel construction.

Ratings

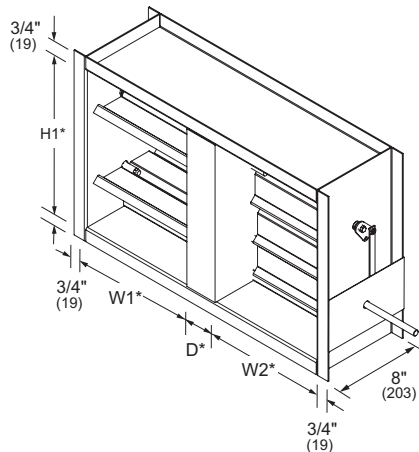
Damper Width	Maximum System Pressure	Maximum System Velocity
12" (305)	5.0 in. wg (1.2 kPa)	3000 fpm (15.2 m/s)
24" (610)	4.0 in. wg (1.0 kPa)	3000 fpm (15.2 m/s)
36" (914)	3.0 in. wg (0.8 kPa)	2500 fpm (12.7 m/s)
48" (1219)	2.5 in. wg (0.6 kPa)	2000 fpm (10.2 m/s)

Leakage: 8.0 cfm/ft² @ 4 in. wg (0.04m³/s/ m² @ 1.00 kPa)
4.0 cfm/ft² @ 1 in. wg (0.02m³/s/ m² @ 0.25 kPa)

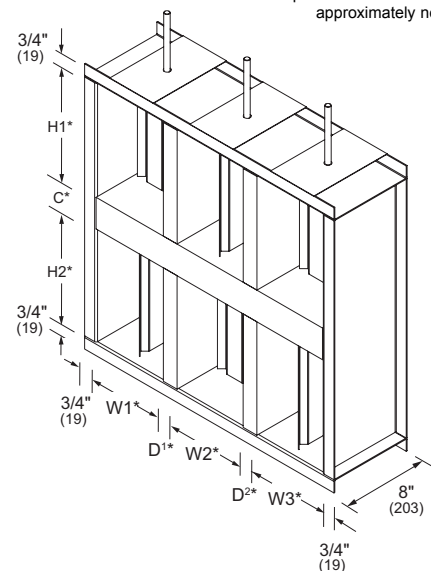
Temperature: -25°F to 180°F (-32°C to +83°C)



Model MX-30
*Damper dimensions furnished approximately net I.D.



Model MX-32
*Damper dimensions furnished approximately net I.D.



Model MX-40
*Damper dimensions furnished approximately net I.D.

Mixing Dampers MX30, MX32, MX-40 March 2006