

General

The following guidelines provide basic assembly and installation instructions for standard Pottorff extruded aluminum operable blade louvers. Pottorff standard louvers are designed to resist a 30 psf wind load.

1. Consult with the Engineer of record for the size, type, and quantity of anchors required to secure the louver to the surrounding condition.
2. Refer to job-specific submittal drawings for additional details when provided.
3. Carefully lift louver sections by their frames or support members using multiple lifting points if necessary to avoid distortion, racking or damage. **Do not apply excessive force to a single point and NEVER LIFT UNITS BY LOUVER BLADES, LINKAGE, OR ACTUATOR.** Take necessary precautions to prevent marring the louver finish.
4. Caulk and anchors are by others. Proper isolation (by others) is recommended between aluminum louver components and steel building conditions to prevent corrosion.

Preparation

Louvers and Hardware

1. Locate all crates, boxes, cartons, etc.
2. Remove louvers from packaging, inspect for damage, confirm quantities and sizes with packing list, and organize parts in order of installation. If installation hardware was ordered it will typically be in a separate box.
3. Notify your Pottorff representative immediately of any shortages or shipping damage.

Openings

1. Inspect openings for damage, repair as needed, and remove obstructions and debris as required.
2. Verify that openings are square, plumb, and that the louvers will fit properly prior to installation.

Sill Flashing (if applicable)

1. Locate all sill flashing (by others or optional by Pottorff). Sill flashing is required for all operable louvers. It is required at the bottom, between the building condition and louver. It is recommended between multiple section high units.
2. Confirm that the sill of the opening and the underside of the sill flashing are clean and free of all debris.
3. Apply caulk to the sill of the opening and firmly set the sill flashing in the caulk. See fig. 1.1.
 - a. Caulk multiple section sill flashing at the overlapping joint(s) and firmly set. See fig. 1.2.
 - b. When sill flashing end caps are required, caulk the underside of the end cap and firmly set over the top of the sill flashing taking care to butt the edge of the vertical leg snugly against the edge of the vertical leg of the sill flashing and adequately caulk the joining vertical seam. See fig. 1.2.

Single Section Louver Installation

1. Locate and anchor clip angles as required to establish proper louver depth and position. See fig. 2.1 for required spacing. (Clip angles are by others or optional by Pottorff).
2. Place the louver section into the opening. See fig. 2.2, 2.3 and 2.4.
3. Shim around the perimeter of the louver to maintain the proper sealant joint clearance and to level the louver. (Shims are by others).
4. When the louver is level and in the proper position, fasten louver frame to clip angles with minimum #12 screws (by others).
5. Install backer rod and caulk around the entire perimeter of the louver, as required. **Do not caulk between louver and sill flashing to allow for drainage.**

Multiple Section Louver Installation

1. Locate and anchor clip angles as shown in fig. 3.1. (Clip angles are by others or optional by Pottorff).
2. Install the lower left section (as viewed from the exterior) following steps 2-4 above. If multiple sections high, install the upper left section(s) following steps 2-4 above. See fig. 3.2.
3. For visible mullions, install I-mullion on right hand jamb (as viewed from the exterior). See fig. 3.3.
4. Install backer rod and caulk around the entire perimeter of the louver, as required. **Do not caulk between louver and sill flashing to allow for drainage.**

Actuator Connection

1. All electrical and pneumatic connections should be done in accordance with local code requirements and actuator installation documentation. Before you apply power to actuator, verify power requirements. After appropriate power has been connected to the actuator, cycle the louver to ensure proper operation.

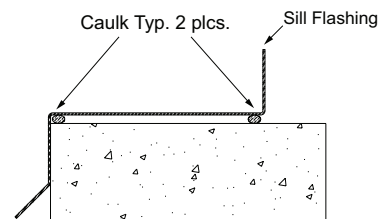


Fig. 1.1 Sill Flashing
Vertical Section

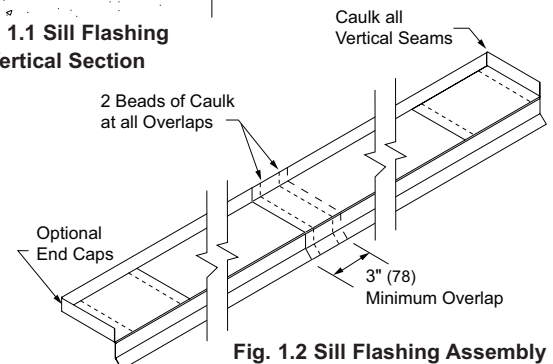


Fig. 1.2 Sill Flashing Assembly

Single Section Louver Installation

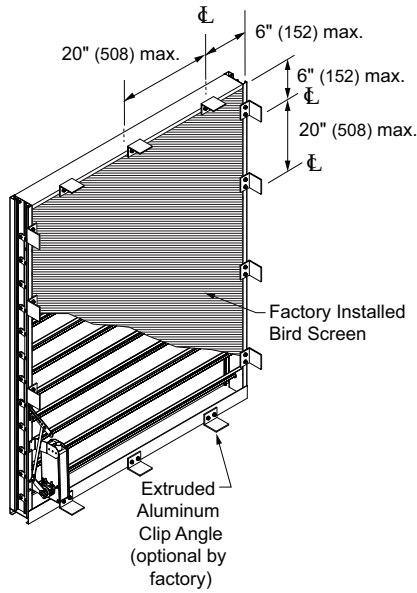


Fig. 2.1 Clip Angle - Single Section Louver

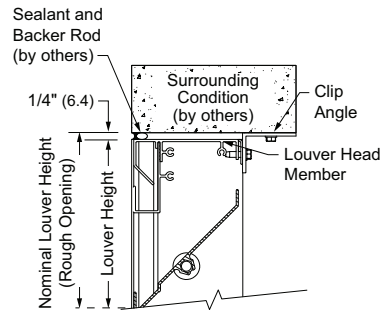


Fig. 2.2 Head

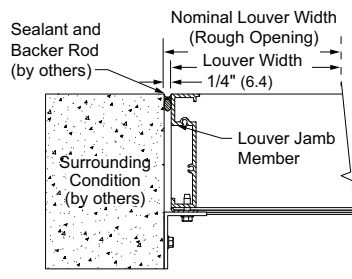


Fig. 2.3 Jamb

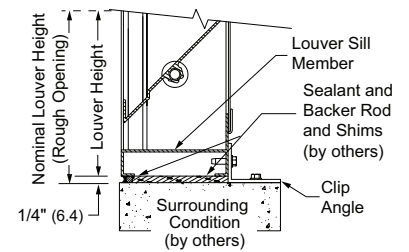


Fig. 2.4 Sill

Multiple Section Louver Installation

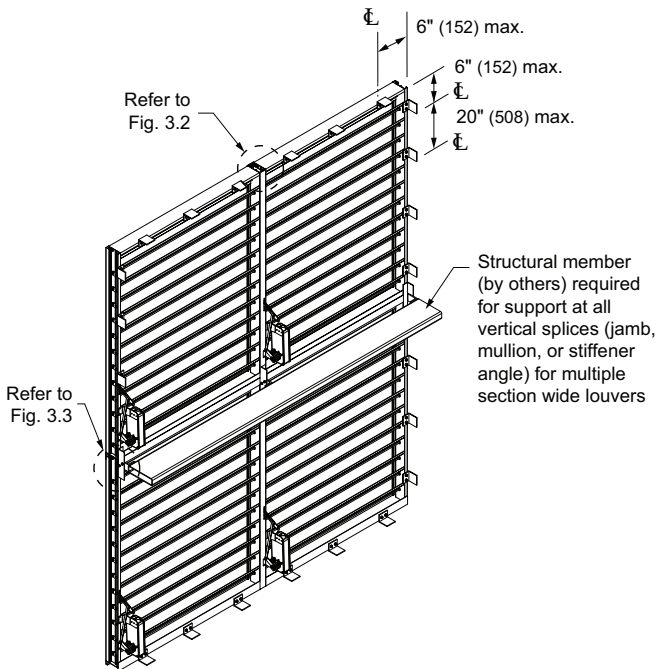


Fig. 3.1 Clip Angle - Multiple Section Louver

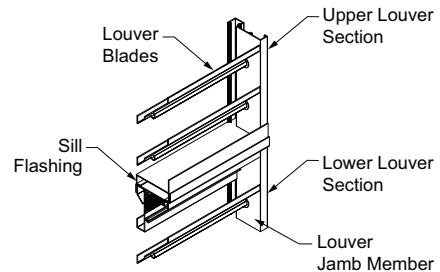


Fig. 3.2 Multi-Section High

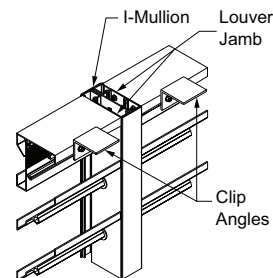


Fig. 3.3 Visible Mullion