

Application

RD-10R remote powered balancing dampers employ a single round blade and a 9VDC actuator for handheld remote air control and balancing. The RD-10R is maintenance free, easy to install, and requires no permanent power source. It is ideally suited for hard ceiling applications or any situation where access to manually adjust the damper is difficult.

Standard Construction

Frame: 6" × 22 ga. (152 × 0.85) galvanized steel.

Blades: 22 ga. (0.85) galvanized steel.

Axles: 3/8" (10) square plated steel.

Bearings: Synthetic

Operator: 9 volt DC actuator with RJ-11 6P4C connection, powered by optional RC-9V handheld remote damper controller.

Minimum Size: 4" Ø (102 Ø)

Maximum Size: 24" Ø (610 Ø)

Options

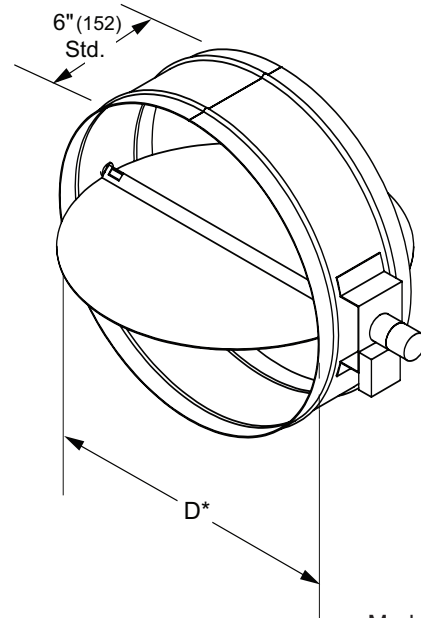
- RC-9V handheld remote damper controller (one required per job), includes 9 volt battery and 5 foot of cable.
- RJ-11 cable x 20 foot long (available up to 1000 feet), male connector at one end and female connector at the other end.
Type: Non-Rated (standard) Plenum Rated
- Wall mount plate.
Ports: 1 (standard) 2 3 4 6
- Single gang wall box.
- 20 gauge construction.

Ratings

Maximum System Velocity: 2000 fpm (10.2 m/s)

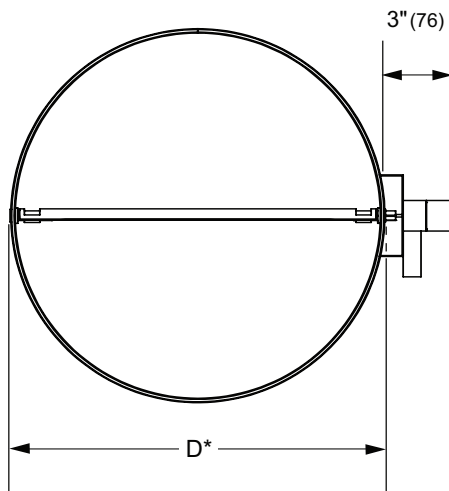
Maximum System Pressure: 1 in. wg (0.25 kPa)

Temperature: 0°F to 165°F (-18°C to +73°C)

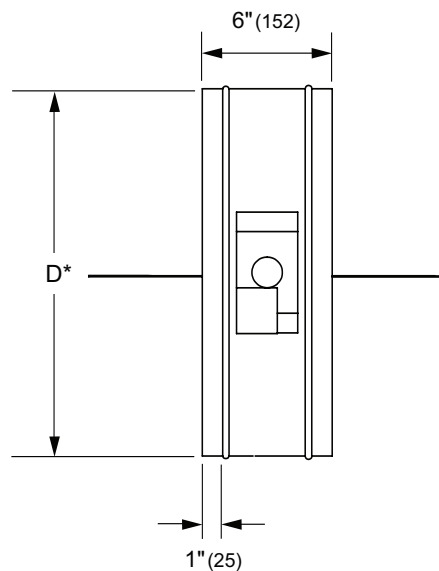


Model **RD-10R**
(standard)

*Damper dimensions furnished approximately 1/8" (3) undersize.



Front View



Side View

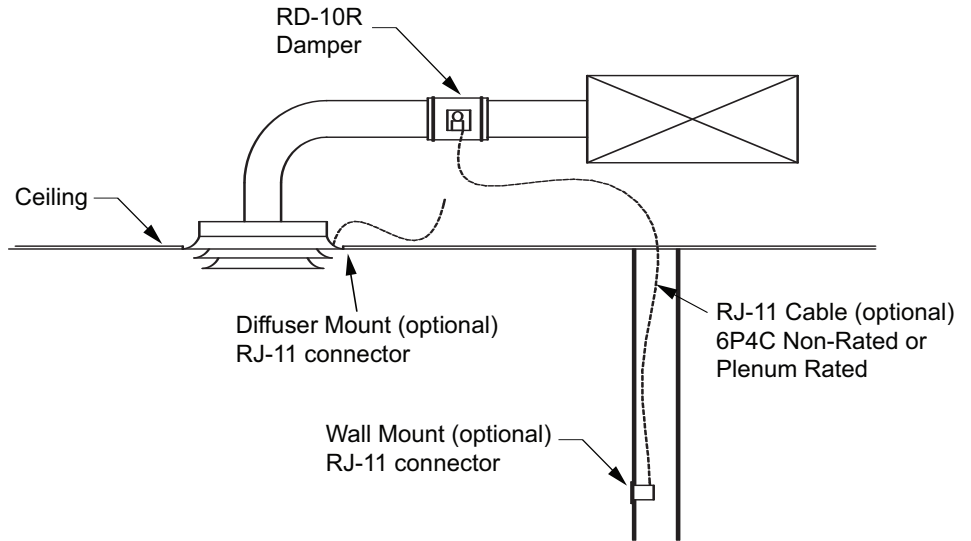
Damper Details

Operation

Plug in the RC-9V to either the diffuser or wall mount RJ-11 connection (or directly to the RD-10R actuator) and press the RC-9V rocker switch to power the damper and adjust the blade to achieve the desired airflow. When proper airflow is achieved, disconnect the RC-9V cable and proceed to the next damper.

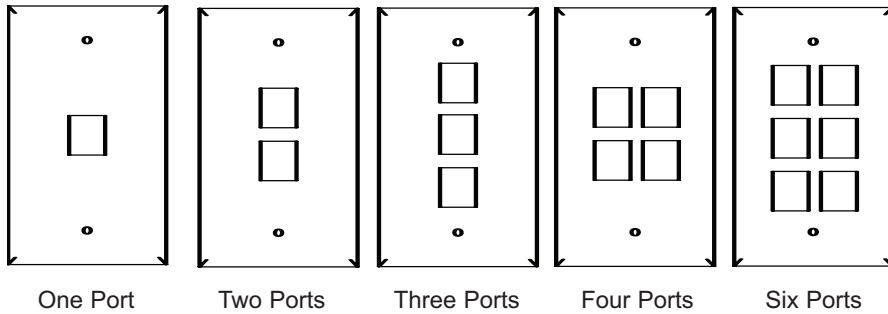
Damper blade rotation is easily reversed by toggling the RC-9V switch between the Forward and Reverse positions.

The RD-10R will rotate 90° in approximately 20 seconds with a fresh battery.

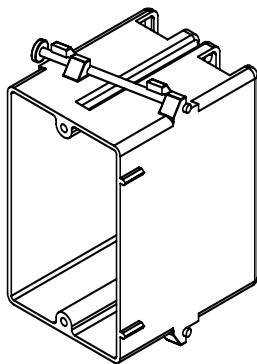
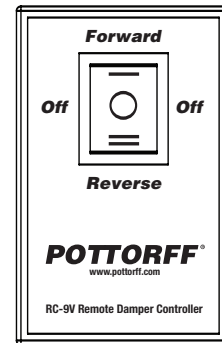


Accessories

Wall plates with ports



RC-9V Handheld Remote



Single Gang Wall Box