

Application

The SFJ-645 formed steel louver is designed for intake and exhaust application where protection against water infiltration is not critical. The SFJ-645 is available in a wide array of painted finishes including custom color matching.

Standard Construction

Material: Galvanized steel.

Frame: 6" deep × 20 ga. thick (152 × 1) channel.

Blades: 45° × 20 ga. (1) thick J-style.

Screen: 1/2" × 0.063" (12.7 × 1.6) expanded and flattened aluminum.

Mullion: Visible.

Minimum Size: 12" × 12" (305 × 305)

Maximum Size: Single section: 60" × 120" (1524 × 3048)
120" × 60" (3048 × 1524)
Multiple section: Unlimited

Options

- Factory finish:
 - Polyester Powder
 - Baked Enamel
 - Prime Coat
- 1 1/2" (38) flange frame.
- Welded construction.
- Alternate bird or insect screens.
- Insulated or non-insulated blank-off panels.
- Filter racks.
- Hinged frame.
- Heavy duty 16 ga. (1.6) construction.
- 304 stainless steel construction.

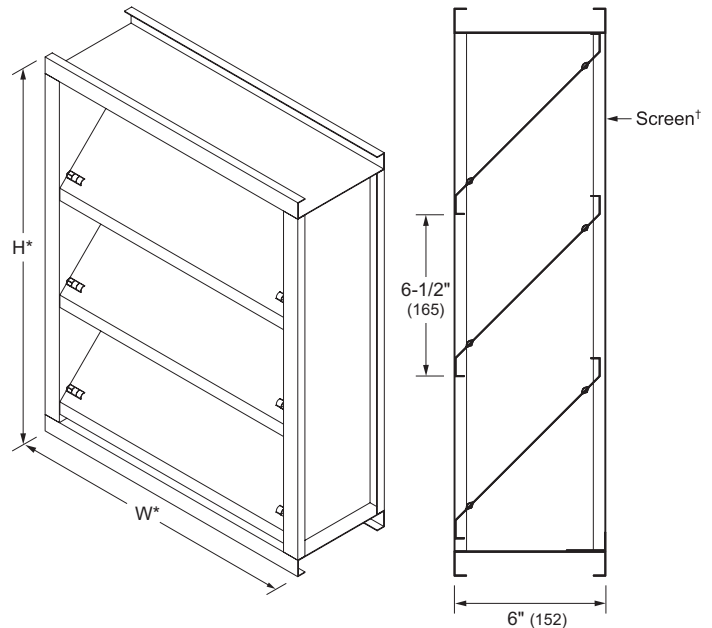
Ratings

Free Area: [48" × 48" (1222 × 1222) unit]: 8.0 ft² (0.74 m²)
50.0%

Performance @ Beginning Point of Water Penetration

Free Area Velocity: 800 fpm (4.06 m/s)
Air Volume Delivered: 6,400 cfm (3.02 m³/s)
Pressure Loss: 0.09 in.wg. (22 Pa)

Design Load: 30 psf

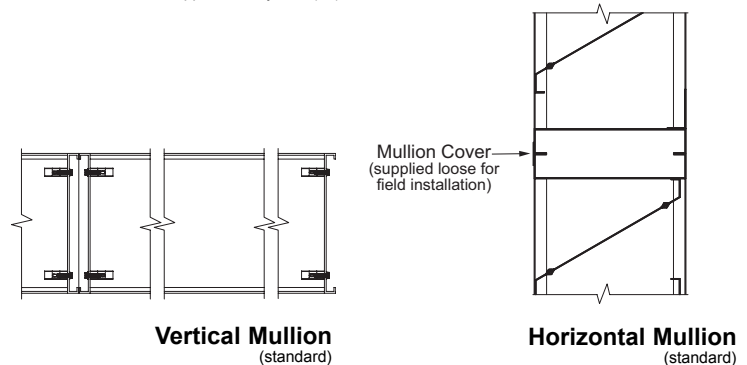


Model **SFJ-645**
(standard)

*Louver dimensions furnished
approximately 1/2" (13) undersize.

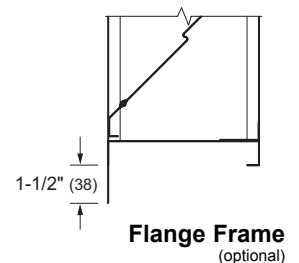
Vertical Section

†Screen adds approximately
3/16" (5) to louver depth.



Vertical Mullion
(standard)

Horizontal Mullion
(standard)



Flange Frame
(optional)