

## Application

The SFK-645 formed steel louver is designed for intake and exhaust application where protection against water infiltration is not critical. The SFK-645 is available in a wide array of painted finishes including custom color matching.

## Standard Construction

**Material:** Galvanized steel.

**Frame:** 6" deep × 20 ga. thick (152 × 1) channel.

**Blades:** 45° × 20 ga. (1) thick K-style.

**Screen:** 1/2" × 0.063" (12.7 × 1.6) expanded and flattened aluminum.

**Mullion:** Visible.

**Minimum Size:** 12" × 12" (305 × 305)

**Maximum Size:** Single section: 60" × 120" (1524 × 3048)  
120" × 60" (3048 × 1524)  
Multiple section: Unlimited

## Options

- Factory finish:
  - Polyester Powder
  - Baked Enamel
  - Prime Coat
- 1 1/2" (38) flange frame.
- Welded construction.
- Alternate bird or insect screens.
- Insulated or non-insulated blank-off panels.
- Filter racks.
- Hinged frame.
- Heavy duty 16 ga. (1.6) construction.
- 304 stainless steel construction.

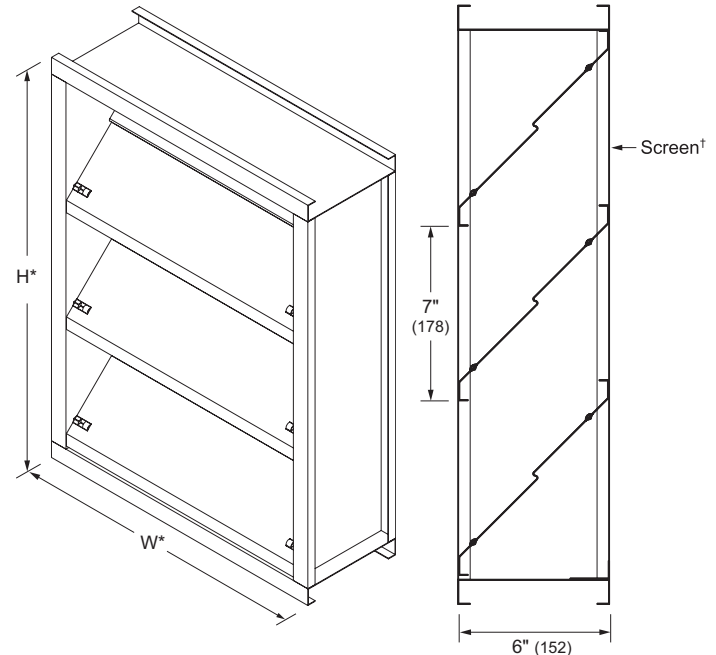
## Ratings

**Free Area:** [48" × 48" (1222 × 1222) unit]: 8.0 ft<sup>2</sup> (0.74 m<sup>2</sup>)  
50.0%

### Performance @ Beginning Point of Water Penetration

**Free Area Velocity:** 800 fpm (4.06 m/s)  
**Air Volume Delivered:** 6,400 cfm (3.02 m<sup>3</sup>/s)  
**Pressure Loss:** 0.09 in.wg. (22 Pa)

**Design Load:** 30 psf

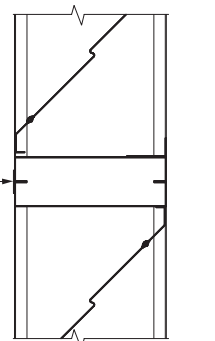


Model **SFK-645**  
(standard)

\*Louvers dimensions furnished approximately 1/2" (13) undersize.

### Vertical Section

†Screen adds approximately 3/16" (5) to louver depth.



**Vertical Mullion**  
(standard)

**Horizontal Mullion**  
(standard)

**Flange Frame**  
(optional)