

## Application

The VFD-10D-B fire damper employs out of the airstream curtain style blades for point-of-origin control of fire in static and dynamic HVAC systems. The VFD-10D-B is qualified to 4,000 ft/min (20.4 m/s) and 4 in.wg. (1.0 kPa) and may be installed in vertical walls or partitions, or horizontally in floors or assemblies with fire resistance ratings up to 2 hours.

## Standard Construction

**Frame:** 22 gauge (0.85) galvanized steel.

**Blades:** 24 gauge (0.7) galvanized steel – curtain style.

**Fire Closure Device:** Fusible link.

**Fire Closure Temperature:** 165°F (75°C).

**Minimum Size:** 6" x 4" (152 x 102)

**Maximum Size:** Single section: Vertical: 36" x 44" (914 x 1118)  
 Horizontal: 36" x 33" (914 x 838)  
 Multiple Section: Vertical: 72" x 44" (1829 x 1118)  
 36" x 92" (914 x 2337)  
 Horizontal: 36" x 34" (914 x 864)  
 72" x 16" (1829 x 406)

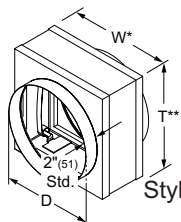
**Stainless Steel:** Single section: Vertical: 36" x 33" (914 x 838)

## Options

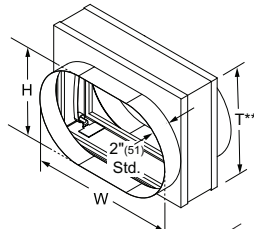
- Factory installed sleeve:  Integral
  - Gauge:  20 (1.0)  18 (1.3)  16 (1.6)  14 (2.0)  10 (3.5)
  - Length:  12" (305)  16" (406)  24" (610)  Other \_\_\_\_\_
- Low leakage taped joints. (Integral sleeve required)
- Transitions:
  - Round  Oval
  - Duct connections (sleeve required):
  - 1" (25) S-clip  DM-25  DM-3  WARD
- Retaining angle systems:
  - Gauge:  20 (1.0)  16 (1.6)
  - Picture frame:  SSPF (single-side)  DSPF (2-side)
  - Individual angle sets:  SS (single-side)  DS (2-side)
- Alternate fire closure temperature.
  - 212°F (100°C)
- Duct access door factory mounted in common sleeve.
- Generic mullion for oversized masonry or concrete openings.
- Type-304 stainless steel construction.

### Round Transitions

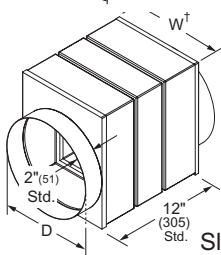
(Standard with D=W=H. Available with D<W and H)



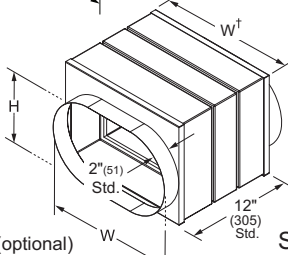
Style BR (optional)



Style BO (optional)



Sleeve Style ISBR (optional)



Sleeve Style ISBO (optional)

### Oval Transitions

(Standard with W and H equal to damper width and height dimensions. Available with W and H smaller than damper width and height)

## Ratings

**UL 555 Fire Resistance Rating:** 1½ hour (vertical and horizontal)

**UL HNLJ.V-5:** Ventilation Duct Assemblies

\*\*\* **Maximum Dynamic Closure Velocity:** 4,000 fpm (20.3 m/s)  
 2,000 fpm (10.2 m/s)

**Maximum UL555S Rated Pressure:** 4 in.wg. (1.0 kPa)

## Listings

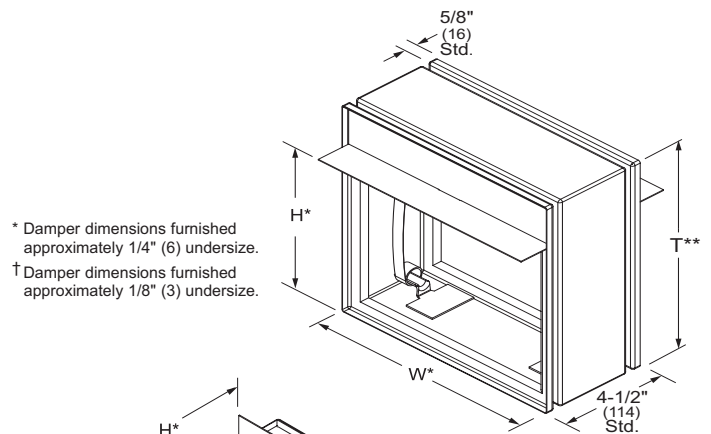
**UL 555 listing:** R11767

**CSFM listing:** 3225-0368:101

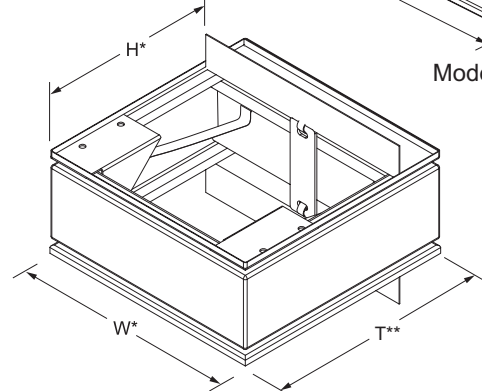
**New York City MEA listing:** 295-98-E

**Meets NFPA Standards:** 90A, 92A, 92B and 101

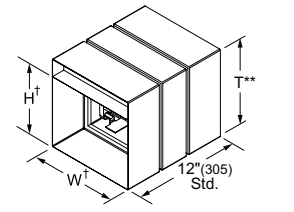
**Meets Building Code Standards:** IBC, NBC, NFPA, SBC and UBC



Model **VFD-10D-B**  
(standard-vertical)



Model **VFD-10D-B**  
(standard-horizontal)

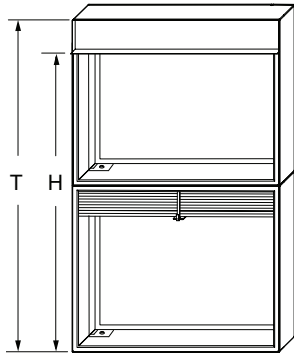
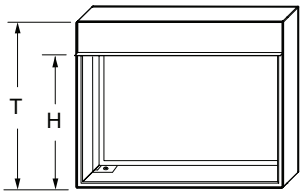


Sleeve Style ISB (optional)

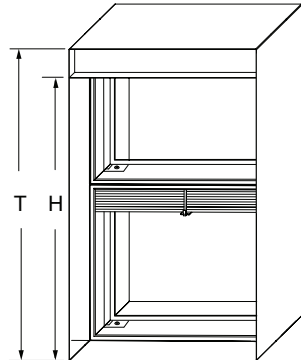
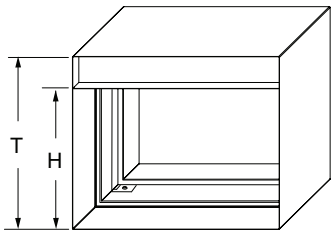
\*\*\* 4000 fpm (20.3 m/s) limited to:  
 Single Section: Vertical: 36" x 44" (914 x 1118)  
 Horizontal: 36" x 16" (914 x 406)  
 Multiple Section: Horizontal: 36" x 34" (914 x 864)  
 72" x 16" (1829 x 406)

Curtain Dampers **VFD-10DB** (1/2) June 2014

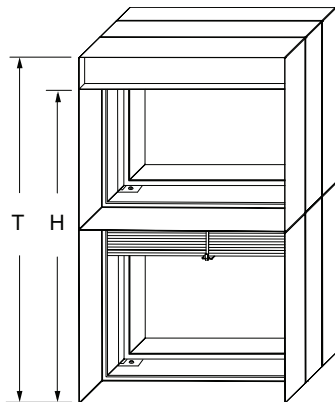
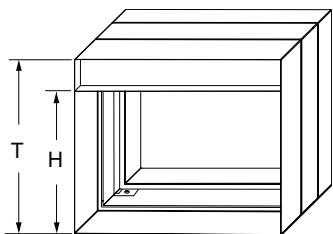
# Blade Stack Dimensional Data



**Framed Unit — No Sleeve**  
(Multiple section units supplied as individual dampers for field assembly)



**Sleeve Style S — Common Sleeve**  
(Multiple section units supplied as a single assembly)



**Sleeve Style IS — Integral Sleeve**  
(Multiple section units supplied as individual dampers for field assembly)

## Single Section

Nominal Duct Height 'H'	Damper Height 'T'
4" (102)	6" (152)
5" (127)	7" (178)
6" (152)	8" (203)
7" (178)	9" (229)
8" (203)	10" (254)
9" (229)	11" (279)
10" (254)	12" (305)
11" (279)	13" (330)
12" (305)	14" (356)
13" (330)	15" (381)
14" (356)	16" (406)
15" (381)	17" (432)
16" (406)	18" (457)
17" (432)	19" (483)
18" (457)	20" (508)
19" (483)	21" (533)
20" (508)	22" (559)
21" (533)	23" (584)
22" (559)	24" (610)
23" (584)	25" (635)
24" (610)	26" (660)
25" (635)	28" (686)
26" (660)	29" (711)
27" (686)	30" (737)
28" (711)	31" (762)
29" (737)	32" (787)
30" (762)	33" (813)
31" (787)	34" (838)
32" (813)	35" (864)
33" (838)	36" (889)
34" (864)	37" (914)
35" (889)	38" (940)
36" (914)	39" (965)
37" (940)	41" (991)
38" (965)	42" (1016)
39" (991)	43" (1041)
40" (1016)	44" (1067)
41" (1041)	45" (1092)
42" (1067)	46" (1118)
43" (1092)	47" (1194)
44" (1118)	48" (1219)

Vertical Dampers Only

## Multiple Section

Nominal Duct Height 'H'	Damper Height 'T'
45" (1143)	47" (1194)
46" (1168)	48" (1219)
47" (1194)	49" (1245)
48" (1219)	50" (1270)
49" (1245)	51" (1295)
50" (1270)	52" (1321)
51" (1295)	54" (1372)
52" (1321)	55" (1397)
53" (1346)	56" (1422)
54" (1372)	57" (1448)
55" (1397)	58" (1473)
56" (1422)	59" (1499)
57" (1448)	60" (1524)
58" (1473)	61" (1549)
59" (1499)	62" (1575)
60" (1524)	63" (1600)
61" (1549)	64" (1626)
62" (1575)	65" (1651)
63" (1600)	66" (1676)
64" (1626)	67" (1702)
65" (1651)	68" (1727)
66" (1676)	69" (1753)
67" (1702)	70" (1778)
68" (1727)	71" (1803)
69" (1753)	72" (1829)
70" (1778)	73" (1854)
71" (1803)	74" (1880)
72" (1829)	75" (1905)
73" (1854)	76" (1930)
74" (1880)	77" (1956)
75" (1905)	78" (1981)
76" (1930)	80" (2032)
77" (1956)	81" (2057)
78" (1981)	82" (2083)
79" (2007)	83" (2108)
80" (2032)	84" (2134)
81" (2057)	85" (2159)
82" (2083)	86" (2184)
83" (2108)	87" (2210)
84" (2134)	88" (2235)
85" (2159)	89" (2261)
86" (2184)	90" (2286)
87" (2210)	91" (2311)
88" (2235)	92" (2337)
89" (2261)	93" (2362)
90" (2286)	94" (2388)
91" (2311)	95" (2413)
92" (2337)	96" (2438)

Vertical Dampers Only

**Note:** Dampers shown as vertical mount. Horizontal mount supplied in the same orientation.

Multiple section dampers shown as one wide by two high - two wide by one high similar.