

Application

The VFD-10D-TLA fire damper employs curtain style blades for point-of-origin control of fire in static and dynamic HVAC systems. The VFD-10D-TLA is qualified to 4,000 ft/min (20.3 m/s) and 4 in.wg. (1.0 kPa) and may be installed in vertical walls or partitions with fire resistance ratings up to 2 hours.

Standard Construction

- Frame:** 22 gauge (0.85) galvanized steel.
- Blades:** 24 gauge (0.7) galvanized steel – curtain style.
- Fire Closure Device:** Fusible link.
- Fire Closure Temperature:** 165°F (75°C).
- Minimum Size:** 6" × 6" (152 × 152)
- Maximum Size:**
 - Single section: Vertical: 36" × 48" (914 × 1219)
 - Multiple Section: Vertical: 72" × 36" (1829 × 914)
 - 36" × 72" (914 × 1829)

Options

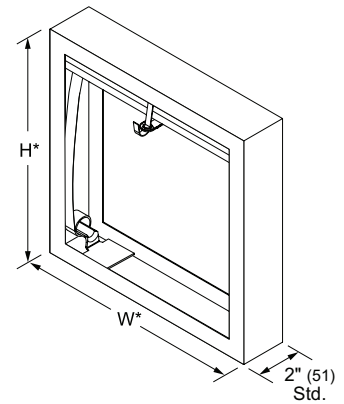
- Velocity Rating: 2000 fpm 4000 fpm
- Factory installed sleeve:
 - Gauge: 20 (1.0) 18 (1.3) 16 (1.6) 14 (2.0) 10 (3.5)
 - Length: 12" (305) 16" (406) 24" (610) Other _____
- Transitions: Flanged (sleeve required)
 - Round Oval
 - Duct connections (sleeve required):
 - 1" (25) S-clip DM-25 DM-35
 - S & Drive WARD
- Retaining angle systems:
 - Gauge: 20 (1.0) 16 (1.6)
 - Picture frame: SSPF (single-side) DSPF (2-side)
 - Individual angle sets: SS (single-side) DS (2-side)
- Alternate fire closure temperature.
 - 212°F (100°C)
- Duct access door factory mounted in common sleeve.
- Generic mullion for oversized masonry or concrete openings.

Ratings

- UL 555 Fire Resistance Rating:** 1½ hour (vertical)
- UL HNLJ.V-5:** Ventilation Duct Assemblies
- Maximum Dynamic Closure Velocity:** 4,000 fpm (20.3 m/s)
2,000 fpm (10.2 m/s) Multiple Section
- Maximum UL555S Rated Pressure:** 4 in.wg. (1.0 kPa)

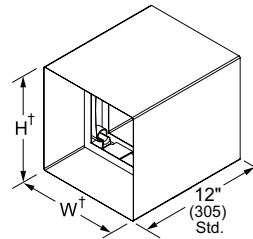
Listings

- UL 555 listing:** R11767
- CSFM listing:** 3225-0368:101
- New York City MEA listing:** 295-98-E
- Meets NFPA Standards:** 90A, 92A, 92B and 101
- Meets Building Code Standards:** IBC, NBC, NFPA, SBC and UBC



Model **VFD-10D-TLA**
(standard)

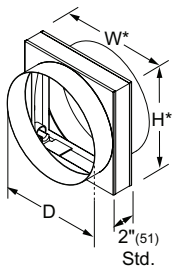
*Damper dimensions furnished approximately 1/4" (6) undersize.



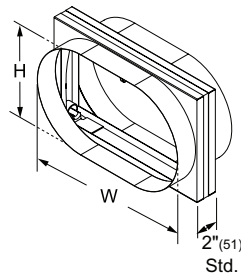
Sleeve Type A (optional)

†Damper dimensions furnished approximately 1/8" (3) undersize.

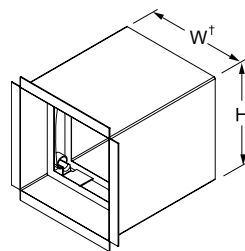
Curtain Dampers VFD10DtlA (1/2) March 2014



Type AR (optional)
Round duct transitions are standard with W=H. (available with D<W and H)

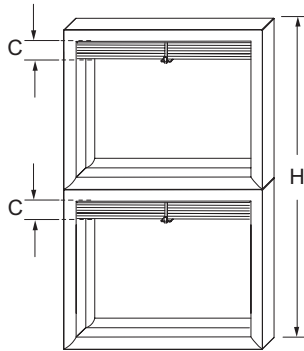
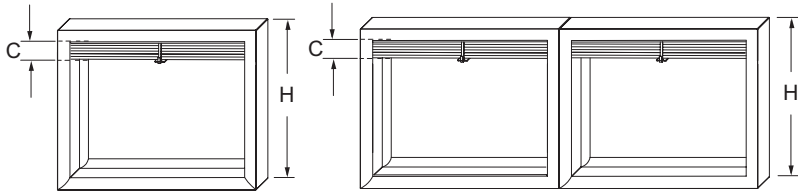


Type AO (optional)
Oval duct transitions are standard with W and H equal to damper width and height dimensions. (available with W and H smaller than damper width and height)

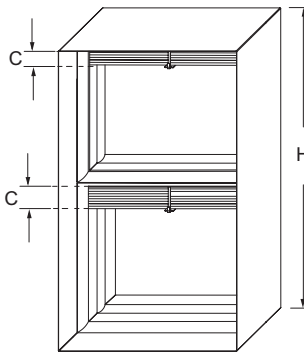
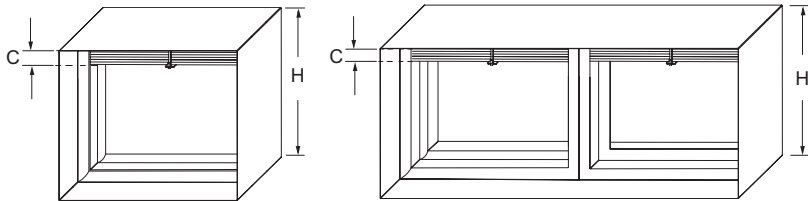


Sleeve (optional)
With standard flange. (Typical for use with grille.)

Damper Height Dimensional Data



Model **VFD-10D-TLA**
(standard)



Sleeve Style S
(optional)

Nominal Duct Height 'H'	Blade Stack Height 'C'
4" (102)	2" (51)
5" (127)	2" (51)
6" (152)	2" (51)
7" (178)	2" (51)
8" (203)	2" (51)
9" (229)	2" (51)
10" (254)	2" (51)
11" (279)	3" (76)
12" (305)	3" (76)
13" (330)	3" (76)
14" (356)	3" (76)
15" (381)	4" (102)
16" (406)	4" (102)
17" (432)	4" (102)
18" (457)	4" (102)
19" (483)	4" (102)
20" (508)	5" (127)
21" (533)	5" (127)
22" (559)	5" (127)
23" (584)	5" (127)
24" (610)	5" (127)
25" (635)	6" (152)
26" (660)	6" (152)
27" (686)	6" (152)
28" (711)	6" (152)
29" (737)	6" (152)
30" (762)	6" (152)
31" (787)	6" (152)
32" (813)	7" (178)
33" (838)	7" (178)
34" (864)	7" (178)
35" (889)	7" (178)
36" (914)	7" (178)
37" (940)	8" (203)
38" (965)	8" (203)

Nominal Duct Height 'H'	Blade Stack Height 'C'
39" (991)	8" (203)
40" (1016)	8" (203)
41" (1041)	8" (203)
42" (1067)	8" (203)
43" (1092)	8" (203)
44" (1118)	8" (203)
45" (1143)	8" (203)
46" (1168)	8" (203)
47" (1194)	8" (203)
48" (1219)	8" (203)
49" (1245)	6" (152)
50" (1270)	6" (152)
51" (1295)	6" (152)
52" (1321)	6" (152)
53" (1346)	6" (152)
54" (1372)	6" (152)
55" (1397)	6" (152)
56" (1422)	6" (152)
57" (1448)	6" (152)
58" (1473)	6" (152)
59" (1499)	7" (178)
60" (1524)	7" (178)
61" (1549)	7" (178)
62" (1575)	7" (178)
63" (1600)	7" (178)
64" (1626)	7" (178)
65" (1651)	7" (178)
66" (1676)	7" (178)
67" (1702)	7" (178)
68" (1727)	7" (178)
69" (1753)	7" (178)
70" (1778)	7" (178)
71" (1803)	7" (178)
72" (1829)	7" (178)