

Application

The VFD-15R fire damper employs round butterfly blades for point-of-origin control of fire in static HVAC systems. The VFD-15R may be installed in vertical walls or partitions, or horizontally in floors or assemblies with fire resistance ratings up to 2 hours.

Standard Construction

- Frame:** 22 gauge (0.85) galvanized steel.
- Blade:** 22 gauge (0.85) galvanized steel — round butterfly.
- Fire Closure Device:** Fusible link.
- Fire Closure Temperature:** 165°F (75°C).
- Minimum Size:** 6" Ø (152 Ø)
- Maximum Size:** 20" Ø (508 Ø)

Options

- Integral Sleeve
 - Gauge: 20 (1.0) 16 (1.6)
 - Length: 12" (305) 16" (406) 24" (610) Other _____
- Retaining Angle Systems
 - Retaining plates for factory supplied sleeve.
 - 1-½" × 1-½" × 10 ga. (38 × 38 × 3.5) retaining angle rings (both sides).
- Alternate fire closure temperature:
 - 212°F (100°C)

Ratings

UL 555 Fire Resistance Rating: 1½ hour (vertical and horizontal)

Listings

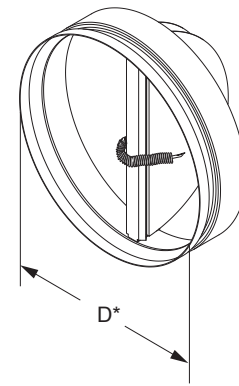
UL 555 and 555S listing: R11767

CSFM listing: 3225-0368:114

New York City MEA listing: 295-98-E

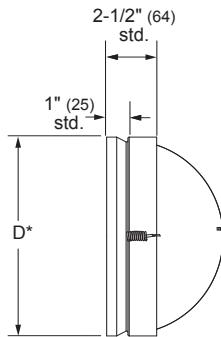
Meets NFPA Standards: 90A, 92A, 92B and 101

Meets Building Code Standards: IBC, NBC, NFPA, SBC and UBC

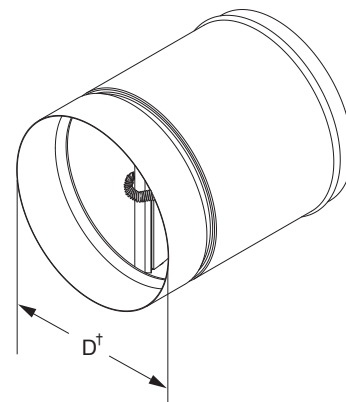


Model **VFD-15R**
(standard)

*Damper dimensions furnished approximately ¼" (6) undersize.

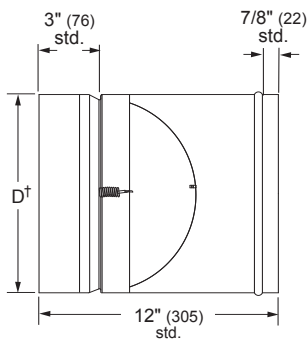


Side View (**VFD-15R**)



Integral Sleeve (optional)

†Damper dimensions furnished approximately ⅛" (3) undersize.



Side View (Integral Sleeve)