

Application

The VFD-30-A fire damper employs curtain style blades for point-of-origin control of fire in static HVAC systems. The VFD-30-A may be installed in vertical walls or partitions or horizontally in floors or assemblies with fire resistance ratings up to 4 hours.

Standard Construction

Frame: 22 gauge (0.85) galvanized steel.

Blades: 24 gauge (0.7) galvanized steel – curtain style.

Fire Closure Device: Fusible link.

Fire Closure Temperature: 165°F (75°C).

Minimum Size: Vertical mount: 4" × 4" (102 × 102)
Horizontal mount: 6" × 10" (152 × 254)

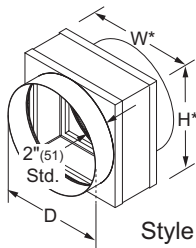
Maximum Size: Single Section: Vertical: 36" × 36" (915 × 915)
Horizontal: 38" × 36" (965 × 915)
Multiple Section: Horizontal: 76" × 96" (1931 × 2438)

Options

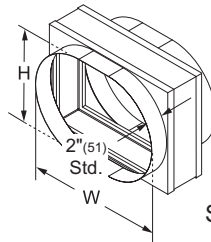
- Factory installed sleeve: Integral
Gauge: 20 (1.0) 18 (1.3) 16 (1.6) 14 (2.0) 10 (3.5)
Length: 12" (305) 16" (406) 24" (610) Other _____
- Low leakage taped joints. (Integral sleeve required)
- Transitions: Flanged (sleeve required)
 - Round Oval
 - Duct connections (sleeve required):
 - 1" (25) S-clip DM-25 DM-35 S & Drive WARD
- 16 ga. (1.6) retaining angle systems:
 - Picture frame: SSPF (single-side) DSPF (2-sided)
 - Individual angle sets: SS (single-side) DS (2-sided)
- Alternate fire closure temperature.
 - 212°F (100°C)
- Duct access door factory mounted in common sleeve.

Round Transitions

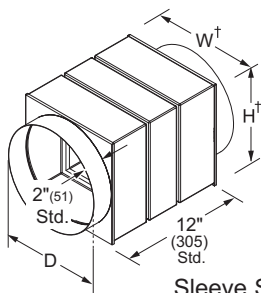
(Standard with D=W=H. Available with D<W and H)



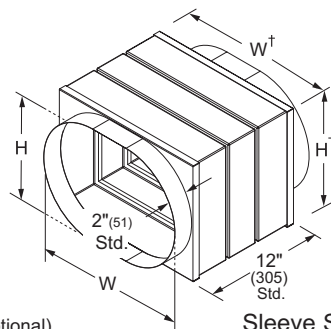
Style AR (optional)



Style AO (optional)



Sleeve Style ISAR (optional)



Sleeve Style ISAO (optional)

Ratings

UL 555 Fire Resistance Rating: 3 hour (vertical and horizontal)

UL HNLJ.V-5: Ventilation Duct Assemblies



Listings

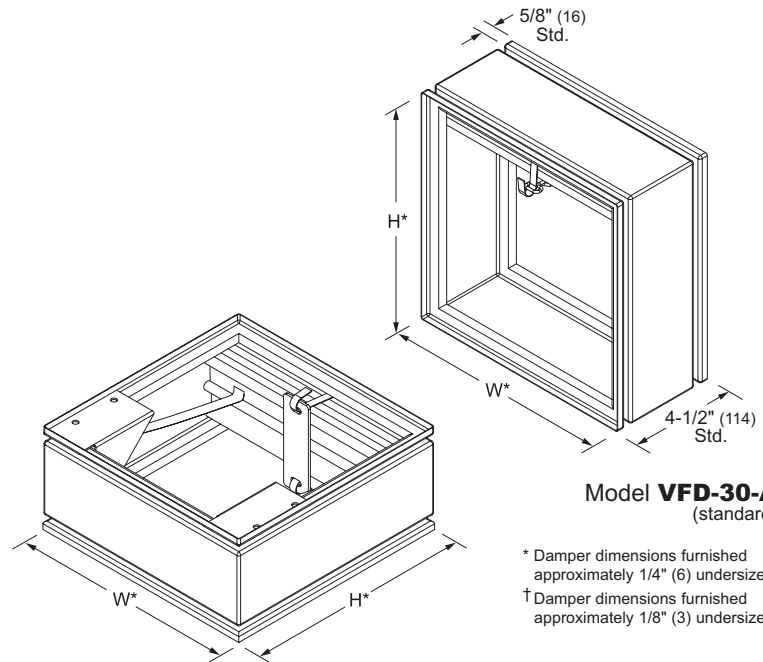
UL 555 listing: R11767

CSFM listing: 3225-0368:101

New York City MEA listing: 295-98-E

Meets NFPA Standards: 90A, 92A, 92B and 101

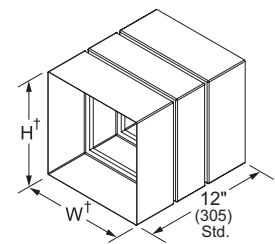
Meets Building Code Standards: IBC, NBC, NFPA, SBC and UBC



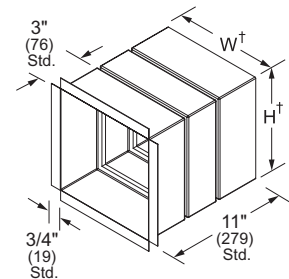
Model **VFD-30-A**
(standard)

* Damper dimensions furnished approximately 1/4" (6) undersize.
† Damper dimensions furnished approximately 1/8" (3) undersize.

Model **VFD-30-A**
(standard-horizontal)

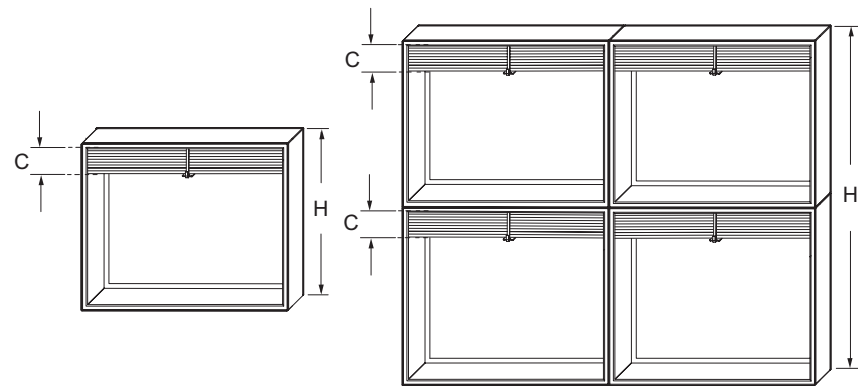


Sleeve Style ISA (optional)

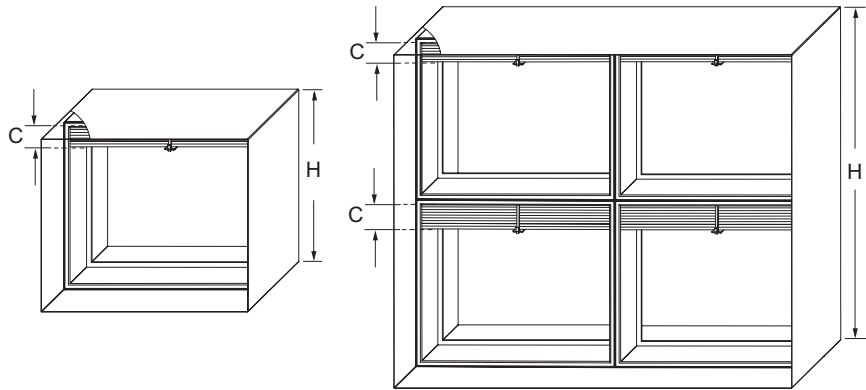


Sleeve Style ISAF (optional)
With standard flange.
(Typical for use with grille.)

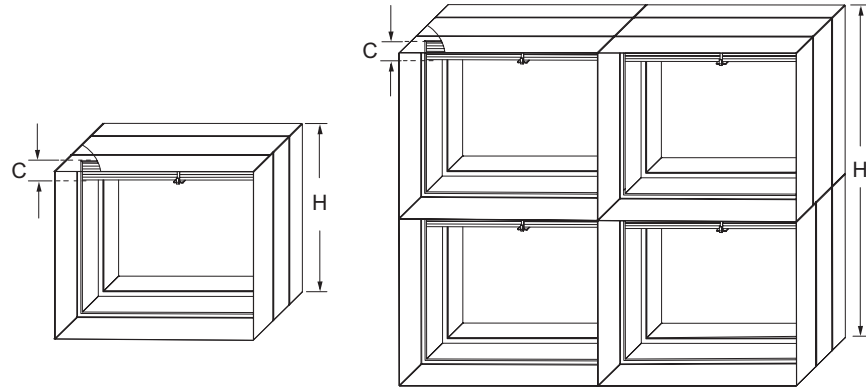
Blade Stack Dimensional Data



Framed Unit — No Sleeve
(Multiple section units supplied as individual dampers for field assembly)



Sleeve Style S — Common Sleeve
(Multiple section units supplied as a single assembly)



Sleeve Style IS — Integral Sleeve
(Multiple section units supplied as individual dampers for field assembly)

Single Section		Multiple Section		Vertical Only	Horizontal Only
Nominal Duct Height 'H'	Blade Stack Height 'C'	Nominal Duct Height 'H'	Blade Stack Height 'C'		
4" (102)	1-1/16" (27)	37" (940)	1-15/16" (49)	Vertical Only	Horizontal Only
5" (127)	1-1/16" (27)	38" (965)	1-15/16" (49)		
6" (152)	1-1/16" (27)	39" (991)	2-3/16" (56)		
7" (178)	1-3/16" (30)	40" (1016)	2-3/16" (56)		
8" (203)	1-3/16" (30)	41" (1041)	2-3/16" (56)		
9" (229)	1-3/16" (30)	42" (1067)	2-3/16" (55)		
10" (254)	1-7/16" (37)	43" (1092)	2-3/16" (54)		
11" (279)	1-7/16" (37)	44" (1118)	2-3/16" (53)		
12" (305)	1-7/16" (37)	45" (1143)	2-5/16" (59)		
13" (330)	1-9/16" (40)	46" (1168)	2-5/16" (58)		
14" (356)	1-9/16" (40)	47" (1194)	2-5/16" (57)		
15" (381)	1-13/16" (46)	48" (1219)	2-5/16" (56)		
16" (406)	1-13/16" (46)	49" (1245)	2-9/16" (65)		
17" (432)	1-13/16" (46)	50" (1270)	2-9/16" (64)		
18" (457)	1-15/16" (49)	51" (1295)	2-9/16" (63)		
19" (483)	1-15/16" (49)	52" (1321)	2-9/16" (62)		
20" (508)	2-3/16" (56)	53" (1346)	2-9/16" (61)		
21" (533)	2-3/16" (56)	54" (1372)	2-9/16" (60)		
22" (559)	2-3/16" (56)	55" (1397)	2-11/16" (68)		
23" (584)	2-5/16" (59)	56" (1422)	2-11/16" (67)		
24" (610)	2-5/16" (59)	57" (1448)	2-11/16" (66)		
25" (635)	2-9/16" (65)	58" (1473)	2-11/16" (65)		
26" (660)	2-9/16" (65)	59" (1499)	2-15/16" (75)		
27" (686)	2-9/16" (65)	60" (1524)	2-15/16" (74)		
28" (711)	2-11/16" (68)	61" (1549)	2-15/16" (73)		
29" (737)	2-11/16" (68)	62" (1575)	2-15/16" (72)		
30" (762)	2-15/16" (75)	63" (1600)	2-15/16" (71)		
31" (787)	2-15/16" (75)	64" (1626)	2-15/16" (70)		
32" (813)	2-15/16" (75)	65" (1651)	3-1/16" (78)		
33" (838)	3-1/16" (78)	66" (1676)	3-1/16" (77)		
34" (864)	3-1/16" (78)	67" (1702)	3-1/16" (76)		
35" (889)	3-5/16" (84)	68" (1727)	3-1/16" (75)		
36" (914)	3-5/16" (84)	69" (1753)	3-5/16" (84)		
		70" (1778)	3-5/16" (84)		
		71" (1803)	3-5/16" (84)		
		72" (1829)	3-5/16" (84)		
		73" (1859)	2-5/16" (59)		
		74" (1880)	2-9/16" (65)		
		75" (1905)	2-9/16" (65)		
		76" (1930)	2-9/16" (65)		
		77" (1956)	2-9/16" (65)		
		78" (1981)	2-9/16" (65)		
		79" (2007)	2-9/16" (65)		
		80" (2032)	2-9/16" (65)		
		81" (2057)	2-9/16" (65)		
		82" (2083)	2-11/16" (68)		
		83" (2108)	2-11/16" (68)		
		84" (2134)	2-11/16" (68)		
		85" (2159)	2-11/16" (68)		
		86" (2184)	2-11/16" (68)		
		87" (2210)	2-11/16" (68)		
		88" (2235)	2-15/16" (75)		
		89" (2261)	2-15/16" (75)		
		90" (2286)	2-15/16" (75)		
		91" (2311)	2-15/16" (75)		
		92" (2337)	2-15/16" (75)		
		93" (2362)	2-15/16" (75)		
		94" (2388)	2-15/16" (75)		
		95" (2413)	2-15/16" (75)		
		96" (2438)	2-15/16" (75)		

Dampers shown as vertical mount. Horizontal mount supplied in the same orientation.

Information is subject to change without notice or obligation.

NOTE: Dimensions in parentheses () are millimeters.