

## Application

The VFD-30-B fire damper employs curtain style blades for point-of-origin control of fire in static HVAC systems. The VFD-30-B may be installed in vertical walls or partitions or horizontally in floors or assemblies with fire resistance ratings up to 4 hours.

## Standard Construction

**Frame:** 22 gauge (0.85) galvanized steel.

**Blades:** 24 gauge (0.7) galvanized steel – curtain style.

**Fire Closure Device:** Fusible link.

**Fire Closure Temperature:** 165°F (75°C).

**Minimum Size:** Vertical mount: 4" × 2" (102 × 51)  
Horizontal mount: 6" × 8" (152 × 203)

**Maximum Size:** Single Section: Vertical: 36" × 33" (915 × 838)  
Horizontal: 38" × 33" (965 × 838)  
Multiple Section: Horizontal: 76" × 93" (1931 × 2362)

## Options

- Factory installed sleeve:  Integral  
Gauge:  20 (1.0)  18 (1.3)  16 (1.6)  14 (2.0)  10 (3.5)  
Length:  12" (305)  16" (406)  24" (610)  Other \_\_\_\_\_
- Low leakage taped joints. (Integral sleeve required)
- Transitions:
  - Round  Oval
  - Duct connections (sleeve required):
  - 1" (25) S-clip  DM-25  DM-35  S & Drive  WARD
- 16 ga. (1.6) retaining angle systems:
  - Picture frame:  SSPF (single-side)  DSPF (2-sided)
  - Individual angle sets:  SS (single-side)  DS (2-sided)
- Alternate fire closure temperature.
  - 212°F (100°C)
- Duct access door factory mounted in common sleeve.

## Ratings

**UL 555 Fire Resistance Rating:** 3 hour (vertical and horizontal)

**UL HNLJ.V-5:** Ventilation Duct Assemblies



## Listings

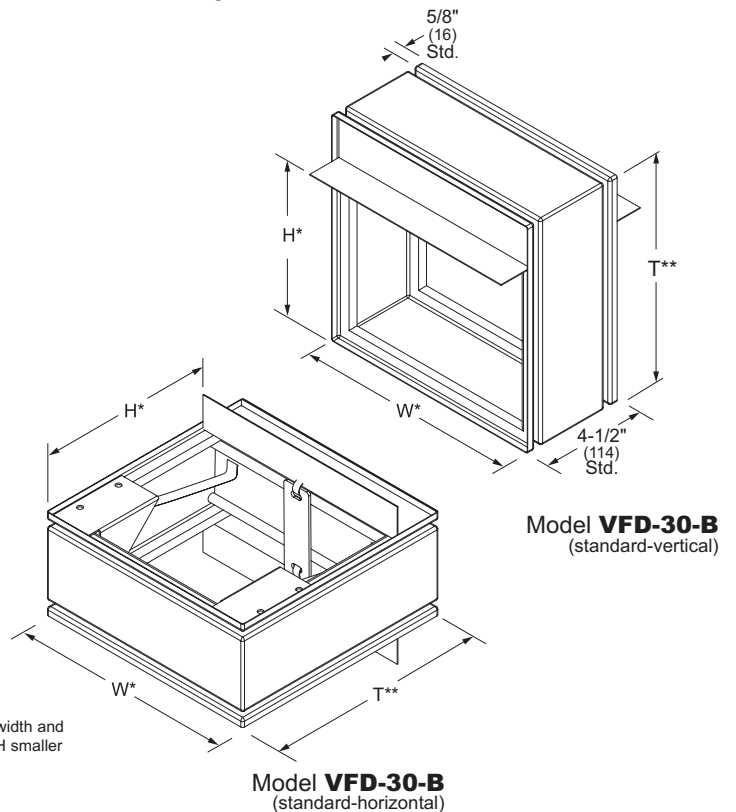
**UL 555 listing:** R11767

**CSFM listing:** 3225-0368:101

**New York City MEA listing:** 295-98-E

**Meets NFPA Standards:** 90A, 92A, 92B and 101

**Meets Building Code Standards:** IBC, NBC, NFPA, SBC and UBC



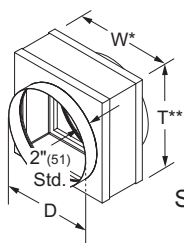
**Model VFD-30-B**  
(standard-vertical)

**Model VFD-30-B**  
(standard-horizontal)

\* Damper dimensions furnished approximately 1/4" (6) undersize.  
† Damper dimensions furnished approximately 1/8" (3) undersize.

## Round Transitions

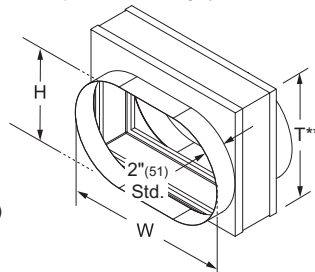
(Standard with D=W=H. Available with D<W and H)



Style BR (optional)

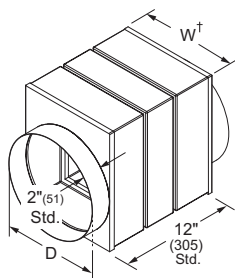
## Oval Transitions

(Standard with W and H equal to damper width and height dimensions. Available with W and H smaller than damper width and height)

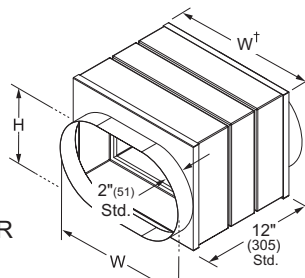


Style BO (optional)

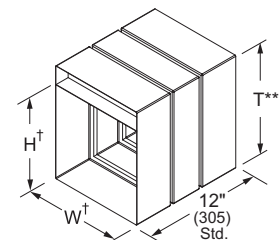
Fire Dampers VFD30B (1/12) March 2014



Sleeve Style ISBR  
(optional)



Sleeve Style ISBO  
(optional)

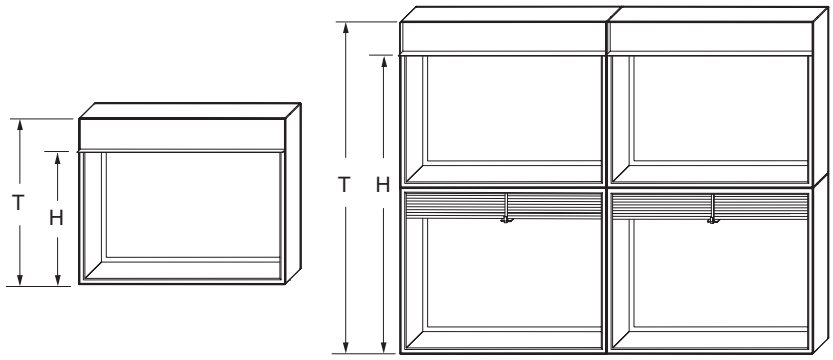


Sleeve Style ISB (optional)

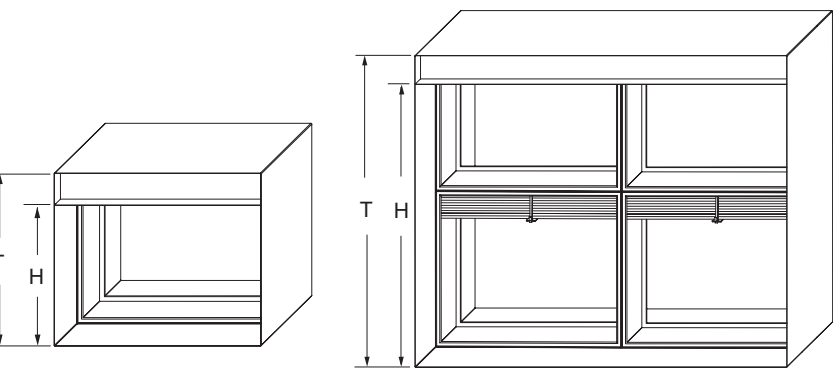
Information is subject to change without notice or obligation.

**NOTE:** Dimensions in parentheses ( ) are millimeters.

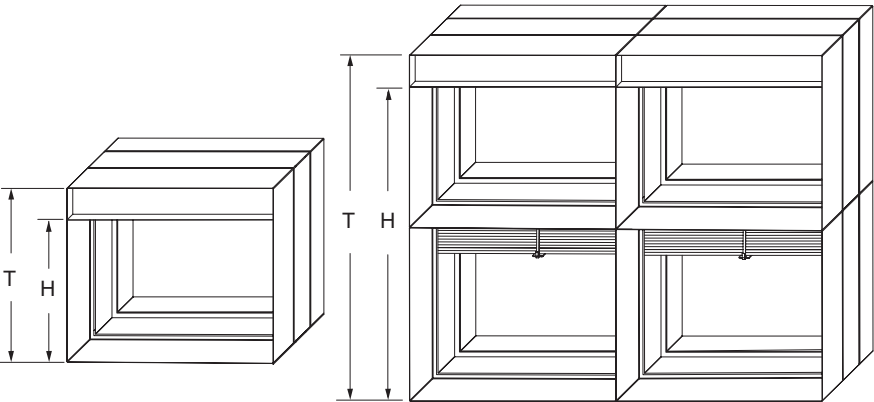
# Blade Stack Dimensional Data



**Framed Unit — No Sleeve**  
(Multiple section units supplied as individual dampers for field assembly)



**Sleeve Style S — Common Sleeve**  
(Multiple section units supplied as a single assembly)



**Sleeve Style IS — Integral Sleeve**  
(Multiple section units supplied as individual dampers for field assembly)

Single Section		Multiple Section	
Nominal Duct Height 'H'	Damper Height 'T'	Nominal Duct Height 'H'	Damper Height 'T'
2" (51)	4" (102)	33" (838)	36" (914)
3" (76)	5" (127)	34" (864)	37" (940)
4" (102)	6" (152)	35" (889)	38" (965)
5" (127)	7" (178)	36" (914)	39" (991)
6" (152)	8" (203)	37" (940)	40" (1016)
7" (178)	9" (229)	38" (965)	41" (1041)
8" (203)	10" (254)	39" (991)	42" (1067)
9" (229)	11" (279)	40" (1016)	43" (1092)
10" (254)	12" (305)	41" (1041)	44" (1118)
11" (279)	13" (330)	42" (1067)	45" (1143)
12" (305)	14" (356)	43" (1092)	46" (1168)
13" (330)	15" (381)	44" (1118)	47" (1194)
14" (356)	16" (406)	45" (1143)	48" (1219)
15" (381)	17" (432)	46" (1168)	49" (1245)
16" (406)	18" (457)	47" (1194)	50" (1270)
17" (432)	19" (483)	48" (1219)	51" (1295)
18" (457)	20" (508)	49" (1245)	52" (1321)
19" (483)	21" (533)	50" (1270)	53" (1346)
20" (508)	22" (559)	51" (1295)	54" (1372)
21" (533)	23" (584)	52" (1321)	55" (1397)
22" (559)	24" (610)	53" (1346)	56" (1422)
23" (584)	25" (635)	54" (1372)	57" (1448)
24" (610)	26" (660)	55" (1397)	58" (1473)
25" (635)	28" (686)	56" (1422)	59" (1499)
26" (660)	29" (711)	57" (1448)	60" (1524)
27" (686)	30" (737)	58" (1473)	61" (1549)
28" (711)	31" (762)	59" (1499)	62" (1575)
29" (737)	32" (787)	60" (1524)	63" (1600)
30" (762)	33" (813)	61" (1549)	64" (1626)
31" (787)	34" (838)	62" (1575)	65" (1651)
32" (813)	35" (864)	63" (1600)	66" (1676)
33" (838)	36" (889)	64" (1626)	67" (1702)
		65" (1651)	68" (1727)
		66" (1676)	69" (1753)
		67" (1702)	70" (1778)
		68" (1727)	71" (1803)
		69" (1753)	72" (1829)
		70" (1778)	73" (1854)
		71" (1803)	74" (1880)
		72" (1829)	75" (1905)
		73" (1854)	76" (1930)
		74" (1880)	77" (1956)
		75" (1905)	78" (1981)
		76" (1930)	79" (2007)
		77" (1956)	80" (2032)
		78" (1981)	81" (2057)
		79" (2007)	82" (2083)
		80" (2032)	83" (2108)
		81" (2057)	84" (2134)
		82" (2083)	85" (2159)
		83" (2108)	86" (2184)
		84" (2134)	87" (2210)
		85" (2159)	88" (2235)
		86" (2184)	89" (2261)
		87" (2210)	90" (2286)
		88" (2235)	91" (2311)
		89" (2261)	92" (2337)
		90" (2286)	93" (2362)
		91" (2311)	94" (2388)
		92" (2337)	95" (2413)
		93" (2362)	96" (2438)

Dampers shown as vertical mount. Horizontal mount supplied in the same orientation.

Vertical Only

Horizontal Only

Information is subject to change without notice or obligation.

NOTE: Dimensions in parentheses ( ) are millimeters.