

Application

The VFD-30D-C fire damper employs out of the air stream frame and curtain style blades for point-of-origin control of fire in static and dynamic HVAC systems. The VFD-30D-C is qualified to 4,000 ft/min (20.4 m/s) and 4 in.wg. (1.0 kPa) and may be installed in vertical walls or partitions with fire resistance ratings up to 4 hours.

Standard Construction

Frame: 22 gauge (0.85) galvanized steel.

Blades: 24 gauge (0.7) galvanized steel – curtain style.

Fire Closure Device: Fusible link.

Fire Closure Temperature: 165°F (75°C).

Minimum Size: 4" × 3" (102 × 76)

Maximum Size: 34" × 32" (864 × 813)

Options

- Factory installed sleeve:
 - Integral (Includes high pressure/low leakage taped joints).
Gauge: 20 (1.0) 18 (1.3) 16 (1.6) 14 (2.0) 10 (3.5)
Length: 12" (305) 16" (406) 24" (610) Other _____
- Transitions:
 - Round Oval
 - Duct connections (sleeve required):
 1" (25) S-clip DM-25 DM-35 WARD
- 16 ga. (1.6) retaining angle systems:
 - Picture frame: SSPF (single-side) DSPF (2-sided)
 - Individual angle sets: SS (single-side) DS (2-sided)
- Alternate fire closure temperature.
 - 212°F (100°C)
- Duct access door factory mounted in common sleeve.

Ratings

UL 555 Fire Resistance Rating: 3 hour (vertical)

UL HNLJ.V-5: Ventilation Duct Assemblies

Maximum Dynamic Closure Velocity: 4,000 fpm (20.4 m/s)

Maximum UL555S Rated Pressure: 4 in.wg. (1.0 kPa)

Listings

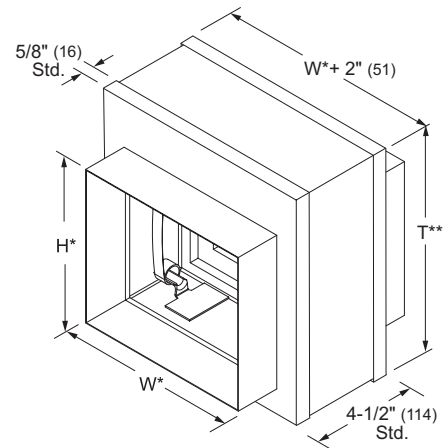
UL 555 listing: R11767

CSFM listing: 3225-0368:101

New York City MEA listing: 295-98-E

Meets NFPA Standards: 90A, 92A, 92B and 101

Meets Building Code Standards: IBC, NBC, NFPA, SBC and UBC

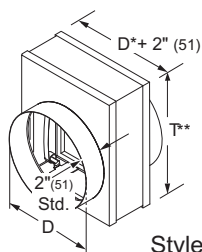


Model **VFD-10D-C**
(standard)

* Damper dimensions furnished approximately 1/4" (6) undersize.
† Damper dimensions furnished approximately 1/8" (3) undersize.

Round Transitions

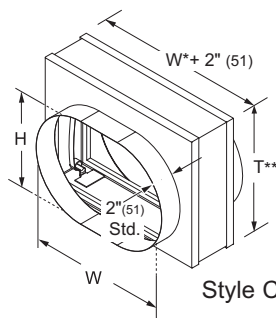
(Standard with D=W=H. Available with D<W and H)



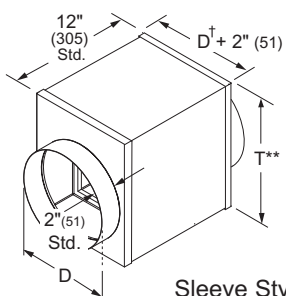
Style CR (optional)

Oval Transitions

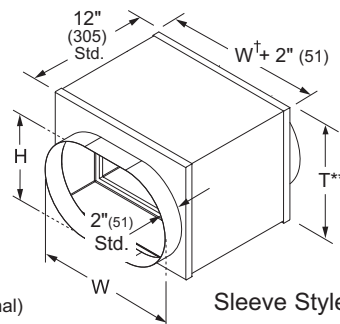
(Standard with W and H equal to damper width and height dimensions. Available with W and H smaller than damper width and height)



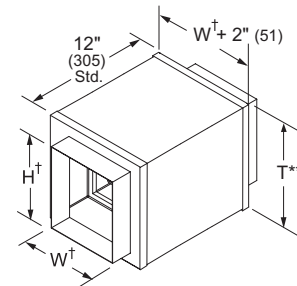
Style CO (optional)



Sleeve Style CR (optional)

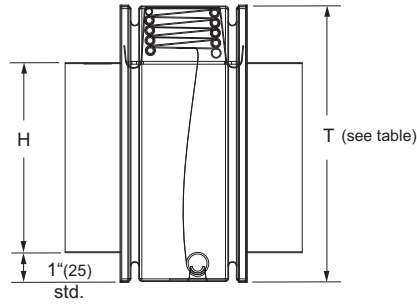


Sleeve Style CO (optional)



Sleeve Style C (optional)

Damper Height Dimensional Data



Nominal Duct Height 'H'	Damper Height 'T'
3" (76)	6" (152)
4" (102)	7" (178)
5" (127)	8" (203)
6" (152)	9" (229)
7" (178)	10" (254)
8" (203)	11" (279)
9" (229)	12" (305)
10" (254)	13" (330)
11" (279)	14" (356)
12" (305)	15" (381)
13" (330)	16" (406)
14" (356)	17" (432)
15" (381)	18" (457)
16" (406)	19" (483)
17" (432)	20" (508)
18" (457)	21" (533)
19" (483)	22" (559)
20" (508)	23" (584)
21" (533)	24" (610)
22" (559)	25" (635)
23" (584)	26" (660)
24" (610)	28" (686)
25" (635)	29" (711)
26" (660)	30" (737)
27" (686)	31" (762)
28" (711)	32" (787)
29" (737)	33" (813)
30" (762)	34" (838)
31" (787)	35" (864)
32" (813)	36" (889)

Curtain Dampers VFD30DC (2/2) March 2014