

Application

The VFD-35R fire damper employs round butterfly blades for point-of-origin control of fire in static HVAC systems. The VFD-35R may be installed in vertical walls or partitions with fire resistance ratings up to 4 hours.

Standard Construction

Frame: 22 gauge (0.85) galvanized steel.

Blade: 22 gauge (0.85) galvanized steel — round butterfly.

Fire Closure Device: Fusible link.

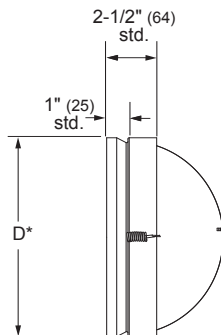
Fire Closure Temperature: 165°F (75°C).

Minimum Size: 6" Ø (152 Ø)

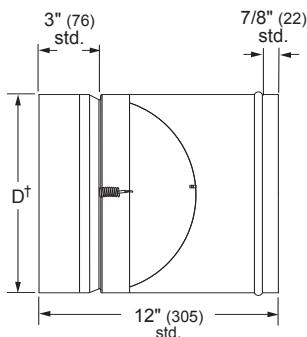
Maximum Size: 20" Ø (508 Ø)

Options

- Integral Sleeve
 - Gauge: 20 (1.0) 16 (1.6)
 - Length: 12" (305) 16" (406) 24" (610) Other _____
- Retaining Angle Systems
 - Retaining plates for factory supplied sleeve.
 - 1-1/2" × 1-1/2" × 10 ga. (38 × 38 × 3.5) retaining angle rings (both sides).
- Alternate fire closure temperature:
 - 212°F (100°C)



Side View (VFD-35R)



Side View (Sleeve)

Ratings

UL 555 Fire Resistance Rating: 3 hour (vertical)

Listings

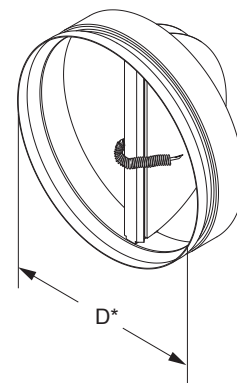
UL 555 and 555S listing: R11767

CSFM listing: 3225-0368:114

New York City MEA listing: 295-98-E

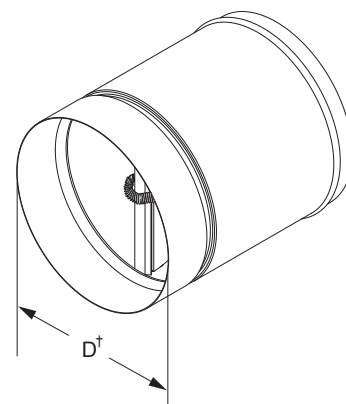
Meets NFPA Standards: 90A, 92A, 92B and 101

Meets Building Code Standards: IBC, NBC, NFPA, SBC and UBC



Model **VFD-35R**
(standard)

*Damper dimensions furnished approximately 1/4" (6) undersize.



Sleeve (optional)

†Damper dimensions furnished approximately 1/8" (3) undersize.