

How to schedule:

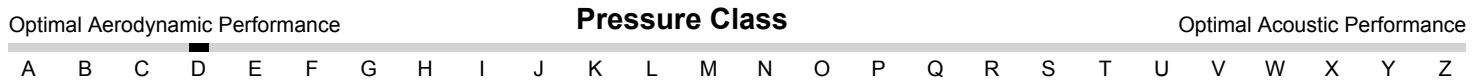
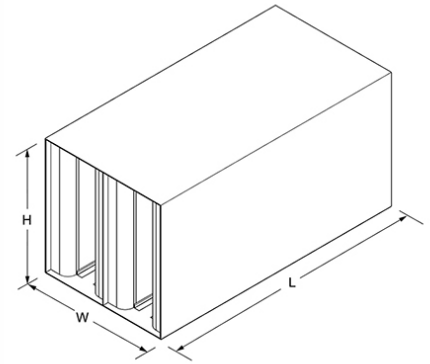
**W x H x L R N N 24 D**  
 width height length shape fill protection unit width pressure class

**Performance Options**

Fill Material:  Fiberglass  Recycled Cotton  None  
 Fill Protection:  None  Polymer Film  Fiberglass Cloth

**Construction Options**

Materials:  Galvanized Steel  304 Stainless Steel  316 Stainless Steel  
 Casing Gauge:  22 Gauge (standard)  18 Gauge  16 Gauge  
 Perforated Gauge:  24 Gauge (standard)  
 High Transmission Loss (HTL) Casing:  None  10 Gauge  
 Connections: Inlet  1" Slip  S & Drive  Angle Flange  1x1x1/8  2x2x1/4  3x3x1/4  Continuously Welded  
 Outlet  1" Slip  S & Drive  Angle Flange  1x1x1/8  2x2x1/4  3x3x1/4  Continuously Welded



**Available Widths**

6 - 144

Length inches (mm)	Face Velocity fpm (m/s)	Pressure Drop in. wg (Pa)	Insertion Loss (dB)								Generated Noise L <sub>w</sub> (dB; 10 Watts)							
			Octave Band Center Frequenc (Hz)								Octave Band Center Frequency (Hz)							
			1 63	2 125	3 250	4 500	5 1K	6 2K	7 4K	8 8K	1 63	2 125	3 250	4 500	5 1K	6 2K	7 4K	8 8K
<b>36</b> (914)	-1,500 (-7.7)	0.20 (50)	8	4	11	16	11	7	6	5	60	54	50	54	57	57	53	38
	-1,000 (-5.1)	0.09 (22)	7	4	10	15	10	7	6	5	57	50	44	49	52	47	37	26
	0.00 (0)	- (0)	7	4	10	13	10	6	6	4	-	-	-	-	-	-	-	-
	+1,000 (5.1)	0.09 (22)	7	4	10	15	11	6	6	4	58	49	42	45	52	51	43	32
	+1,500 (7.7)	0.20 (50)	6	4	10	15	12	7	6	4	63	56	49	49	55	60	58	46
<b>72</b> (1829)	-1,500 (-7.7)	0.23 (57)	10	9	17	27	16	10	9	8	61	54	50	52	57	59	54	40
	-1,000 (-5.1)	0.10 (25)	9	8	16	26	15	10	9	8	57	49	43	47	51	47	37	26
	0.00 (0)	- (0)	9	7	14	25	14	10	9	7	-	-	-	-	-	-	-	-
	+1,000 (5.1)	0.10 (25)	9	9	15	26	15	9	9	6	60	50	39	43	52	53	45	33
	+1,500 (7.7)	0.23 (57)	8	9	16	27	17	10	9	7	65	57	47	47	56	62	61	49

**Performance Notes**

- Information is subject to change without notice or obligation.
- Dimensions in parenthesis ( ) are millimeters.
- Data derived from independent laboratory tests in accordance with ASTM E477-13.
- "+" indicates forward flow. (supply), "-" indicates reverse flow. (return)
- Maximum differential pressure: 8 in. wg.
- Generated noise data is based on a face area of 4 sq. ft. For each doubling of face area add 3 dB to the self-generated noise values.
- Pressure drops reported in accordance with ASTM E477-13 and are based on ideal flow conditions (5 duct diameters upstream and 10 downstream). Less than ideal conditions will result in an increase in pressure drop due to system effects.

Catalog data above shows a portion of the models available. Please visit [sst.pottorff.com](http://sst.pottorff.com) to select from all available models.

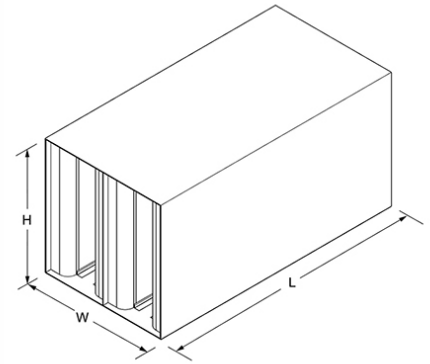


How to schedule:

**W x H x L R N N 24 E**  
 width height length shape fill protection unit width pressure class

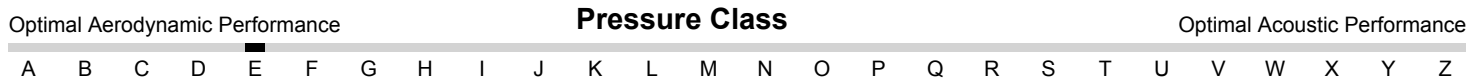
**Performance Options**

Fill Material:  Fiberglass  Recycled Cotton  None  
 Fill Protection:  None  Polymer Film  Fiberglass Cloth



**Construction Options**

Materials:  Galvanized Steel  304 Stainless Steel  316 Stainless Steel  
 Casing Gauge:  22 Gauge (standard)  18 Gauge  16 Gauge  
 Perforated Gauge:  24 Gauge (standard)  
 High Transmission Loss (HTL) Casing:  None  10 Gauge  
 Connections: Inlet  1" Slip  S & Drive  Angle Flange  1x1x1/8  2x2x1/4  3x3x1/4  Continuously Welded  
 Outlet  1" Slip  S & Drive  Angle Flange  1x1x1/8  2x2x1/4  3x3x1/4  Continuously Welded



**Available Widths**

6 - 144

Length inches (mm)	Face Velocity fpm (m/s)	Pressure Drop in. wg (Pa)	Insertion Loss (dB)								Generated Noise L <sub>w</sub> (dB; 10 Watts)							
			Octave Band Center Frequenc (Hz)								Octave Band Center Frequency (Hz)							
			1 63	2 125	3 250	4 500	5 1K	6 2K	7 4K	8 8K	1 63	2 125	3 250	4 500	5 1K	6 2K	7 4K	8 8K
<b>108</b> (2743)	-1,500 (-7.7)	0.25 (62)	19	9	25	34	18	12	12	10	61	53	48	53	58	57	53	37
	-1,000 (-5.1)	0.12 (30)	18	8	23	32	17	12	12	10	58	48	42	49	51	45	33	28
	0.00 (0)	- (0)	18	7	22	30	18	12	11	9	-	-	-	-	-	-	-	-
	+1,000 (5.1)	0.12 (30)	18	8	24	34	19	12	11	9	61	51	38	44	51	51	43	32
	+1,500 (7.7)	0.25 (62)	17	8	25	36	21	13	11	9	65	58	47	48	56	61	60	47

**Performance Notes**

- Information is subject to change without notice or obligation.
- Dimensions in parenthesis ( ) are millimeters.
- Data derived from independent laboratory tests in accordance with ASTM E477-13.
- "+" indicates forward flow. (supply), "-" indicates reverse flow. (return)
- Maximum differential pressure: 8 in. wg.
- Generated noise data is based on a face area of 4 sq. ft. For each doubling of face area add 3 dB to the self-generated noise values.
- Pressure drops reported in accordance with ASTM E477-13 and are based on ideal flow conditions (5 duct diameters upstream and 10 downstream). Less than ideal conditions will result in an increase in pressure drop due to system effects.

Catalog data above shows a portion of the models available. Please visit [sst.pottorff.com](http://sst.pottorff.com) to select from all available models.

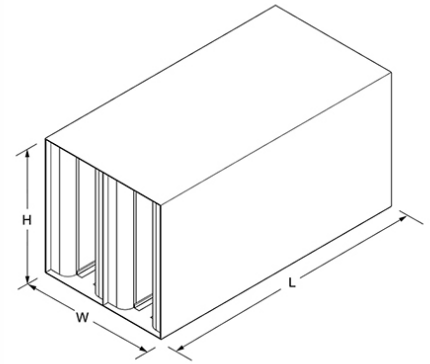


How to schedule:

**W x H x L R N N 24 N**  
 width height length shape fill protection unit width pressure class

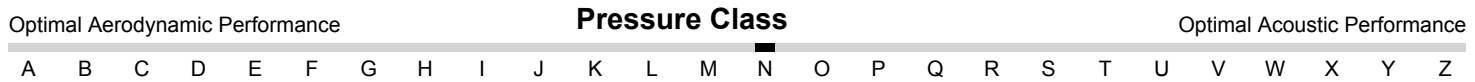
**Performance Options**

Fill Material:  Fiberglass  Recycled Cotton  None  
 Fill Protection:  None  Polymer Film  Fiberglass Cloth



**Construction Options**

Materials:  Galvanized Steel  304 Stainless Steel  316 Stainless Steel  
 Casing Gauge:  22 Gauge (standard)  18 Gauge  16 Gauge  
 Perforated Gauge:  24 Gauge (standard)  
 High Transmission Loss (HTL) Casing:  None  10 Gauge  
 Connections: Inlet  1" Slip  S & Drive  Angle Flange  1x1x1/8  2x2x1/4  3x3x1/4  Continuously Welded  
 Outlet  1" Slip  S & Drive  Angle Flange  1x1x1/8  2x2x1/4  3x3x1/4  Continuously Welded



**Available Widths**

6 - 144

Length inches (mm)	Face Velocity fpm (m/s)	Pressure Drop in. wg (Pa)	Insertion Loss (dB)								Generated Noise L <sub>w</sub> (dB; 10 Watts)							
			Octave Band Center Frequenc (Hz)								Octave Band Center Frequency (Hz)							
			1 63	2 125	3 250	4 500	5 1K	6 2K	7 4K	8 8K	1 63	2 125	3 250	4 500	5 1K	6 2K	7 4K	8 8K
<b>36</b> (914)	-750 (-3.8)	<b>0.22</b> (55)	7	7	15	21	15	10	9	7	55	48	39	46	49	41	26	16
	-500 (-2.6)	<b>0.11</b> (27)	6	6	15	20	15	10	9	7	54	47	33	41	36	24	15	15
	0.00 (0)	- (0)	6	5	14	20	15	9	9	8	-	-	-	-	-	-	-	-
	+500 (2.6)	<b>0.11</b> (27)	6	7	15	21	16	9	9	7	52	48	36	43	46	41	29	15
	+750 (3.8)	<b>0.22</b> (55)	6	6	15	22	17	9	9	8	58	54	45	47	52	54	48	33

**Performance Notes**

- Information is subject to change without notice or obligation.
- Dimensions in parenthesis ( ) are millimeters.
- Data derived from independent laboratory tests in accordance with ASTM E477-13.
- "+" indicates forward flow. (supply), "-" indicates reverse flow. (return)
- Maximum differential pressure: 8 in. wg.
- Generated noise data is based on a face area of 4 sq. ft. For each doubling of face area add 3 dB to the self-generated noise values.
- Pressure drops reported in accordance with ASTM E477-13 and are based on ideal flow conditions (5 duct diameters upstream and 10 downstream). Less than ideal conditions will result in an increase in pressure drop due to system effects.

Catalog data above shows a portion of the models available. Please visit [sst.pottorff.com](http://sst.pottorff.com) to select from all available models.



How to schedule:

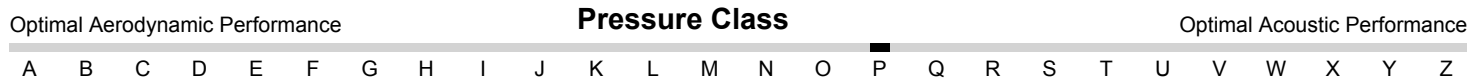
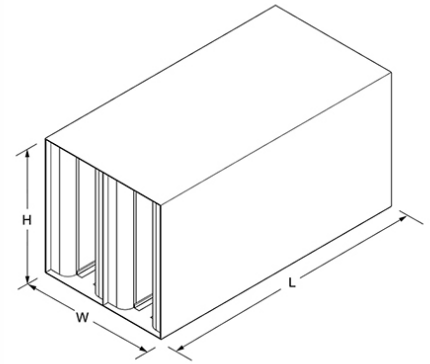
**W x H x L R N N 24 P**  
 width height length shape fill protection unit width pressure class

**Performance Options**

Fill Material:  Fiberglass  Recycled Cotton  None  
 Fill Protection:  None  Polymer Film  Fiberglass Cloth

**Construction Options**

Materials:  Galvanized Steel  304 Stainless Steel  316 Stainless Steel  
 Casing Gauge:  22 Gauge (standard)  18 Gauge  16 Gauge  
 Perforated Gauge:  24 Gauge (standard)  
 High Transmission Loss (HTL) Casing:  None  10 Gauge  
 Connections: Inlet  1" Slip  S & Drive  Angle Flange  1x1x1/8  2x2x1/4  3x3x1/4  Continuously Welded  
 Outlet  1" Slip  S & Drive  Angle Flange  1x1x1/8  2x2x1/4  3x3x1/4  Continuously Welded



**Available Widths**

6 - 144

Length inches (mm)	Face Velocity fpm (m/s)	Pressure Drop in. wg (Pa)	Insertion Loss (dB)								Generated Noise L <sub>w</sub> (dB; 10 Watts)							
			Octave Band Center Frequenc (Hz)								Octave Band Center Frequency (Hz)							
			1 63	2 125	3 250	4 500	5 1K	6 2K	7 4K	8 8K	1 63	2 125	3 250	4 500	5 1K	6 2K	7 4K	8 8K
<b>36</b> (914)	-750 (-3.8)	<b>0.26</b> (65)	8	7	13	24	12	10	9	7	56	48	43	46	49	43	32	16
	-500 (-2.6)	<b>0.12</b> (30)	7	7	13	23	12	9	9	7	55	46	36	39	36	25	15	15
	0.00 (0)	- (0)	7	6	12	23	12	9	9	7	-	-	-	-	-	-	-	-
	+500 (2.6)	<b>0.12</b> (30)	7	7	13	23	13	9	9	7	55	45	37	41	48	42	31	15
	+750 (3.8)	<b>0.26</b> (65)	7	7	13	23	14	9	9	7	60	51	43	44	52	56	51	37

**Performance Notes**

- Information is subject to change without notice or obligation.
- Dimensions in parenthesis ( ) are millimeters.
- Data derived from independent laboratory tests in accordance with ASTM E477-13.
- "+" indicates forward flow. (supply), "-" indicates reverse flow. (return)
- Maximum differential pressure: 8 in. wg.
- Generated noise data is based on a face area of 4 sq. ft. For each doubling of face area add 3 dB to the self-generated noise values.
- Pressure drops reported in accordance with ASTM E477-13 and are based on ideal flow conditions (5 duct diameters upstream and 10 downstream). Less than ideal conditions will result in an increase in pressure drop due to system effects.

Catalog data above shows a portion of the models available. Please visit [sst.pottorff.com](http://sst.pottorff.com) to select from all available models.



How to schedule:

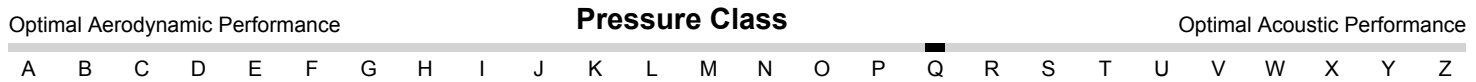
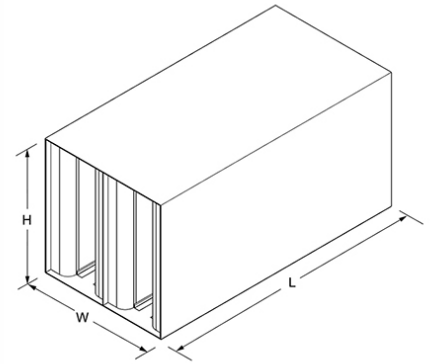
**W x H x L R N N 24 Q**  
 width height length shape fill protection unit width pressure class

**Performance Options**

Fill Material:  Fiberglass  Recycled Cotton  None  
 Fill Protection:  None  Polymer Film  Fiberglass Cloth

**Construction Options**

Materials:  Galvanized Steel  304 Stainless Steel  316 Stainless Steel  
 Casing Gauge:  22 Gauge (standard)  18 Gauge  16 Gauge  
 Perforated Gauge:  24 Gauge (standard)  
 High Transmission Loss (HTL) Casing:  None  10 Gauge  
 Connections: Inlet  1" Slip  S & Drive  Angle Flange  1x1x1/8  2x2x1/4  3x3x1/4  Continuously Welded  
 Outlet  1" Slip  S & Drive  Angle Flange  1x1x1/8  2x2x1/4  3x3x1/4  Continuously Welded



**Available Widths**

6 - 144

Length inches (mm)	Face Velocity fpm (m/s)	Pressure Drop in. wg (Pa)	Insertion Loss (dB)								Generated Noise L <sub>w</sub> (dB; 10 Watts)							
			Octave Band Center Frequenc (Hz)								Octave Band Center Frequency (Hz)							
			1 63	2 125	3 250	4 500	5 1K	6 2K	7 4K	8 8K	1 63	2 125	3 250	4 500	5 1K	6 2K	7 4K	8 8K
<b>72</b> (1829)	-750 (-3.8)	<b>0.30</b> (75)	13	12	25	34	21	13	12	11	57	48	38	47	51	44	33	19
	-500 (-2.6)	<b>0.13</b> (32)	12	11	24	34	21	13	12	10	55	46	34	43	38	27	15	15
	0.00 (0)	- (0)	12	9	23	32	22	14	13	11	-	-	-	-	-	-	-	-
	+500 (2.6)	<b>0.13</b> (32)	11	11	24	34	23	14	13	11	59	46	37	45	47	43	31	15
	+750 (3.8)	<b>0.30</b> (75)	12	11	25	36	24	14	13	10	65	54	45	48	53	56	51	35
<b>108</b> (2743)	-750 (-3.8)	<b>0.32</b> (80)	17	18	28	41	28	17	15	12	56	46	39	46	49	42	31	16
	-500 (-2.6)	<b>0.14</b> (35)	16	16	28	40	27	17	15	12	54	43	31	38	34	23	15	15
	0.00 (0)	- (0)	16	14	27	40	26	16	15	13	-	-	-	-	-	-	-	-
	+500 (2.6)	<b>0.14</b> (35)	16	16	28	41	27	16	15	13	56	48	36	42	45	41	28	15
	+750 (3.8)	<b>0.32</b> (80)	15	16	29	42	30	16	15	13	63	55	43	45	51	56	50	36

**Performance Notes**

- Information is subject to change without notice or obligation.
- Dimensions in parenthesis ( ) are millimeters.
- Data derived from independent laboratory tests in accordance with ASTM E477-13.
- "+" indicates forward flow. (supply), "-" indicates reverse flow. (return)
- Maximum differential pressure: 8 in. wg.
- Generated noise data is based on a face area of 4 sq. ft. For each doubling of face area add 3 dB to the self-generated noise values.
- Pressure drops reported in accordance with ASTM E477-13 and are based on ideal flow conditions (5 duct diameters upstream and 10 downstream). Less than ideal conditions will result in an increase in pressure drop due to system effects.

Catalog data above shows a portion of the models available. Please visit [sst.pottorff.com](http://sst.pottorff.com) to select from all available models.

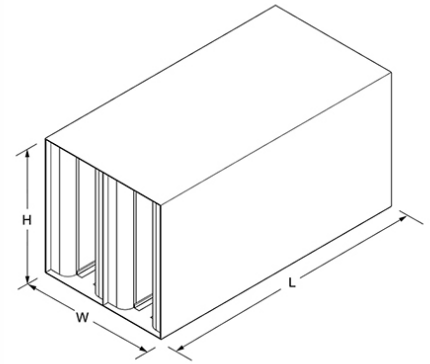


How to schedule:

**W x H x L R N N 24 R**  
 width height length shape fill protection unit width pressure class

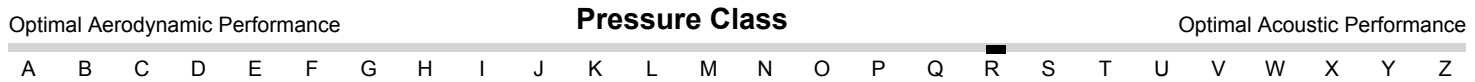
**Performance Options**

Fill Material:  Fiberglass  Recycled Cotton  None  
 Fill Protection:  None  Polymer Film  Fiberglass Cloth



**Construction Options**

Materials:  Galvanized Steel  304 Stainless Steel  316 Stainless Steel  
 Casing Gauge:  22 Gauge (standard)  18 Gauge  16 Gauge  
 Perforated Gauge:  24 Gauge (standard)  
 High Transmission Loss (HTL) Casing:  None  10 Gauge  
 Connections: Inlet  1" Slip  S & Drive  Angle Flange  1x1x1/8  2x2x1/4  3x3x1/4  Continuously Welded  
 Outlet  1" Slip  S & Drive  Angle Flange  1x1x1/8  2x2x1/4  3x3x1/4  Continuously Welded



**Available Widths**

6 - 144

Length inches (mm)	Face Velocity fpm (m/s)	Pressure Drop in. wg (Pa)	Insertion Loss (dB)								Generated Noise L <sub>w</sub> (dB; 10 Watts)							
			Octave Band Center Frequenc (Hz)								Octave Band Center Frequency (Hz)							
			1 63	2 125	3 250	4 500	5 1K	6 2K	7 4K	8 8K	1 63	2 125	3 250	4 500	5 1K	6 2K	7 4K	8 8K
<b>72</b> (1829)	-750 (-3.8)	<b>0.32</b> (80)	15	14	23	32	20	13	13	11	58	49	41	46	51	47	37	24
	-500 (-2.6)	<b>0.14</b> (35)	14	13	21	31	20	13	13	11	57	47	36	40	39	30	15	15
	0.00 (0)	- (0)	12	12	21	31	20	13	13	11	-	-	-	-	-	-	-	-
	+500 (2.6)	<b>0.14</b> (35)	14	13	23	32	21	13	13	11	57	45	38	42	48	45	33	15
	+750 (3.8)	<b>0.32</b> (80)	13	14	23	32	22	13	13	11	63	54	45	46	52	57	52	36

**Performance Notes**

- Information is subject to change without notice or obligation.
- Dimensions in parenthesis ( ) are millimeters.
- Data derived from independent laboratory tests in accordance with ASTM E477-13.
- "+" indicates forward flow. (supply), "-" indicates reverse flow. (return)
- Maximum differential pressure: 8 in. wg.
- Generated noise data is based on a face area of 4 sq. ft. For each doubling of face area add 3 dB to the self-generated noise values.
- Pressure drops reported in accordance with ASTM E477-13 and are based on ideal flow conditions (5 duct diameters upstream and 10 downstream). Less than ideal conditions will result in an increase in pressure drop due to system effects.

Catalog data above shows a portion of the models available. Please visit [sst.pottorff.com](http://sst.pottorff.com) to select from all available models.

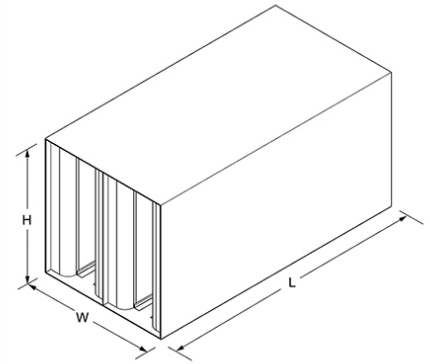


How to schedule:

**W x H x L R N N 24 S**  
 width height length shape fill protection unit width pressure class

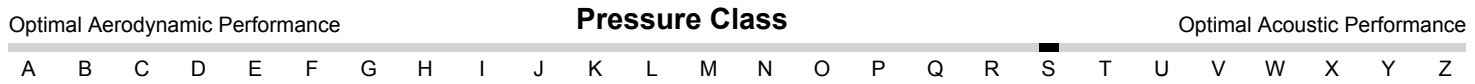
**Performance Options**

Fill Material:  Fiberglass  Recycled Cotton  None  
 Fill Protection:  None  Polymer Film  Fiberglass Cloth



**Construction Options**

Materials:  Galvanized Steel  304 Stainless Steel  316 Stainless Steel  
 Casing Gauge:  22 Gauge (standard)  18 Gauge  16 Gauge  
 Perforated Gauge:  24 Gauge (standard)  
 High Transmission Loss (HTL) Casing:  None  10 Gauge  
 Connections: Inlet  1" Slip  S & Drive  Angle Flange  1x1x1/8  2x2x1/4  3x3x1/4  Continuously Welded  
 Outlet  1" Slip  S & Drive  Angle Flange  1x1x1/8  2x2x1/4  3x3x1/4  Continuously Welded



**Available Widths**

6 - 144

Length inches (mm)	Face Velocity fpm (m/s)	Pressure Drop in. wg (Pa)	Insertion Loss (dB)								Generated Noise L <sub>w</sub> (dB; 10 Watts)							
			Octave Band Center Frequenc (Hz)								Octave Band Center Frequency (Hz)							
			1 63	2 125	3 250	4 500	5 1K	6 2K	7 4K	8 8K	1 63	2 125	3 250	4 500	5 1K	6 2K	7 4K	8 8K
<b>108</b> (2743)	<b>-750</b> (-3.8)	<b>0.36</b> (90)	15	15	27	37	22	15	15	13	54	49	41	45	49	44	33	20
	<b>-500</b> (-2.6)	<b>0.16</b> (40)	14	14	26	36	22	15	15	13	50	46	33	37	33	22	15	15
	<b>0.00</b> (0)	- (0)	14	12	25	36	22	14	16	13	-	-	-	-	-	-	-	-
	<b>+500</b> (2.6)	<b>0.16</b> (40)	14	15	26	37	22	14	16	13	57	49	35	40	47	42	30	15
	<b>+750</b> (3.8)	<b>0.36</b> (90)	14	16	27	38	24	14	16	13	64	55	44	44	51	56	51	37

**Performance Notes**

- Information is subject to change without notice or obligation.
- Dimensions in parenthesis ( ) are millimeters.
- Data derived from independent laboratory tests in accordance with ASTM E477-13.
- "+" indicates forward flow. (supply), "-" indicates reverse flow. (return)
- Maximum differential pressure: 8 in. wg.
- Generated noise data is based on a face area of 4 sq. ft. For each doubling of face area add 3 dB to the self-generated noise values.
- Pressure drops reported in accordance with ASTM E477-13 and are based on ideal flow conditions (5 duct diameters upstream and 10 downstream). Less than ideal conditions will result in an increase in pressure drop due to system effects.

Catalog data above shows a portion of the models available. Please visit [sst.pottorff.com](http://sst.pottorff.com) to select from all available models.

