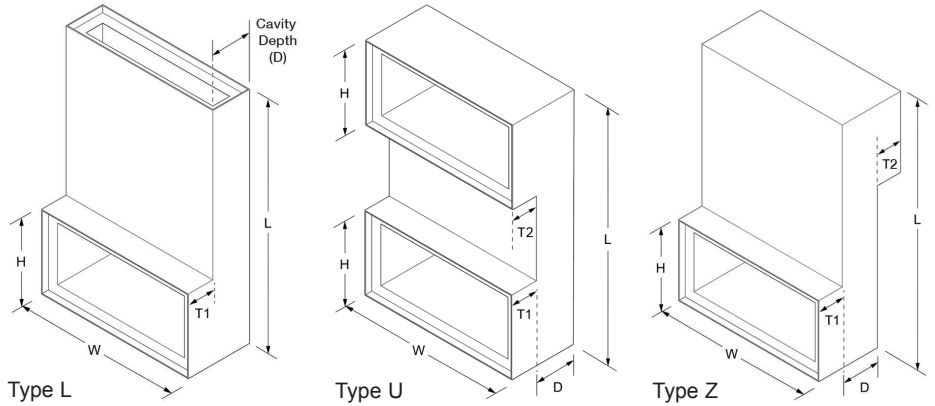


## Construction

Outer Casing: □ 22 Gauge (standard)  
Casing Gauge: □ 26 Gauge (standard)

- Type L Return Air Silencers are configured for multiple installations serving a common shaft between adjacent spaces.
- Type U Return Air Silencers are configured for installation in or above lay-in acoustical ceiling tile systems between adjacent spaces.
- Type Z Return Air Silencers are configured for installation in walls or doors between adjacent spaces.



Size	D	H	W	Length			Airflow (cfm) vs. Static Pressure (in. wg.) Differences Between Two Rooms					
				L	U	Z	.025	.050	.075	.10	.15	.20
4-06	3.5 (89)	6 (152)	6 (152)	42 (1067)	48 (1219)	48 (1219)	40	52	65	77	95	109
4-08	3.5 (89)	6 (152)	8 (203)	42 (1067)	48 (1219)	48 (1219)	58	69	87	103	127	145
4-14	3.5 (89)	6 (152)	14 (356)	42 (1067)	48 (1219)	48 (1219)	103	122	151	180	222	253
4-30	3.5 (89)	6 (152)	30 (762)	42 (1067)	48 (1219)	48 (1219)	200	280	340	400	490	560
4-42	3.5 (89)	6 (152)	42 (1067)	42 (1067)	48 (1219)	48 (1219)	280	395	475	560	685	785
6-6	3.5 (89)	6 (152)	6 (152)	18 (457)	24 (610)	24 (610)	40	52	65	77	95	109
6-12	3.5 (89)	6 (152)	12 (305)	18 (457)	24 (610)	24 (610)	80	106	130	154	194	218
5-06	5 (127)	8 (203)	6 (152)	40 (1016)	48 (1219)	48 (1219)	62	74	92	110	136	156
5-08	5 (127)	8 (203)	8 (203)	40 (1016)	48 (1219)	48 (1219)	86	102	127	151	186	214
5-14	5 (127)	8 (203)	14 (356)	40 (1016)	48 (1219)	48 (1219)	145	173	215	256	316	363
5-30	5 (127)	8 (203)	30 (762)	40 (1016)	48 (1219)	48 (1219)	285	400	485	570	700	800
5-42	5 (127)	8 (203)	42 (1067)	40 (1016)	48 (1219)	48 (1219)	560	790	900	1120	1370	1570
7-06	7 (179)	10 (254)	6 (152)	38 (965)	48 (1219)	48 (1219)	87	104	129	154	190	217
7-08	7 (179)	10 (254)	8 (203)	38 (965)	48 (1219)	48 (1219)	118	140	173	206	253	289
7-14	7 (179)	10 (254)	14 (356)	38 (965)	48 (1219)	48 (1219)	204	243	302	360	443	506
7-30	7 (179)	10 (254)	30 (762)	38 (965)	48 (1219)	48 (1219)	400	565	680	800	980	1120
7-42	7 (179)	10 (254)	42 (1067)	38 (965)	48 (1219)	48 (1219)	560	790	900	1120	1370	1570
12-12	5 (127)	12 (305)	12 (305)	24 (610)	36 (914)	36 (914)	114	160	198	228	275	318
12-24	5 (127)	12 (305)	24 (610)	30 (762)	42 (1067)	42 (1067)	228	320	396	456	550	636
12-36	7 (179)	12 (305)	36 (914)	36 (914)	48 (1219)	48 (1219)	481	675	825	950	1163	1338

## Typical Noise Reduction

Model	Octave Band Center Frequency Hz								NIC
	1 63	2 125	3 250	4 500	5 1000	6 2000	7 4000	8 8000	
Type Z	21	29	33	40	51	57	60	56	45
Type U	21	29	33	40	51	57	60	56	45
Type L	21	29	33	40	51	57	60	56	45

## Performance Notes

1. Information is subject to change without notice or obligation.
2. Dimensions in parenthesis ( ) are millimeters.
3. "+" indicates forward flow. (supply), "-" indicates reverse flow. (return)
4. Maximum differential pressure: 2 in. wg.