

Application

The FSD-152 combination fire smoke damper employs airfoil blades for point-of-origin control of fire and smoke in static and dynamic smoke management systems. The FSD-152 is qualified to 4,000 ft/min (20.3 m/s) and 6 in.wg. (1.5 kPa) and may be installed in vertical walls or partitions, or horizontally in floors or assemblies with fire resistance ratings up to 2 hours.

Standard Construction

Frame: 5" x 1" (127 x 25) galvanized steel hat channel with interlocking corner gusset. Equivalent to 13 gauge (2.4) channel frame. Low profile head and sill are used on sizes less than 13" (330) high.

Blades: 6" x 14 gauge (152 x 2.0) equivalent galvanized — steel airfoil.

Sleeve: 16" x 20 gauge (406 x 1.0) galvanized steel.

Axles: ½" (13) diameter plated steel hex.

Linkage: Concealed in frame.

Bearings: Stainless steel oilite, sleeve-type.

Seals: Silicone blade edge seals integrally rolled and mechanically fastened to blades. Flexible metal jamb seals.

Actuator: 120 VAC, power-open, spring-close, external mount.

Fire Closure Device: HS-10 (electric) PFV (pneumatic)

Fire Closure Temperature: 165°F (75°C).

Minimum Size: 8" x 6" (203 x 152)

Maximum Size: Single section: 32" x 48" (813 x 1219)
Multiple section: Vertical: 144" x 48" (3658 x 1219)
128" x 96" (3251 x 2438)
Horizontal: 120" x 96" (3048 x 2438)

Options

- Installation: Vertical Mount Horizontal Mount
- Velocity Rating: 2000 fpm 3000 fpm 4000 fpm
- Temperature Rating: 250° F 350° F
- Alternate actuator: Internal mount (actuator in air-stream).
 24 VAC 230 VAC Pneumatic 24V Modulating**
 Opposed blade
 Parallel blade
- Alternate power-close, spring-open position.**
 Alternate Actuator:
 Internal Mount (actuator in air-stream) 24 VAC
- DRS-30 — Two temperature fire closure device.
(Includes PI-50 switch package)
- PI-50 — Dual position indicator switch package.
- Alternate factory installed sleeve:
Gauge: 18 (1.3) 16 (1.6) 14 (2.0) 10 (3.5)
Length: 20" (508) 24" (610) Other _____
 Side Plate No Sleeve (Actuator must be internally mounted)
- Transitions : Flanged Round Oval
 Duct connections: 1" (25) S-clip
 DM25 DM35 S & Drive Ward
- Retaining angle systems: Gauge: 20 (1.0) 16 (1.6)
Picture frame: SSPF (single-side) DSPF (2-sided)
Individual angle sets: SS (single-side) DS (2-sided)
- Alternate fire closure temperature:
 212°F (100°C) 250°F (121°C) 350°F (177°C)
- Duct smoke detector factory mounted and wired:
 D4120 (100-4,000 fpm [0.5-20.3 m/s])
 2151 (0-3,000 fpm [0-15.2 m/s])
- Duct access door factory mounted in common sleeve.
- Remote control stations:
 RCP-1 (single) RCP-1K (single, key controlled)
 RCP-1M (single, momentary switch)
- Generic mullion for oversized masonry or concrete wall openings.

Information is subject to change without notice or obligation.

Ratings

UL 555 Fire Resistance Rating: 1½ hour (vertical and horizontal)

UL 555S Leakage Class: 2 [20 cfm/sq.ft. @ 4 in.wg.]
[(0.10 m³/s/m² @ 1.0 kPa)]

UL HNLJ.V-5: Ventilation Duct Assemblies

Maximum Dynamic Closure Velocity:** 4,000 fpm (20.3 m/s)

Maximum UL555S Rated Pressure: 6 in.wg. (1.5 kPa)
4 in.wg. (1.0 kPa) below 8" in height

Maximum Temperature:** 350°F (177°C)

Listings

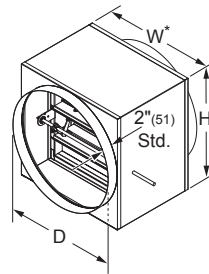
UL 555 and 555S listing: R11767

CSFM listing: 3225-0368:115 and 3230-0368:116

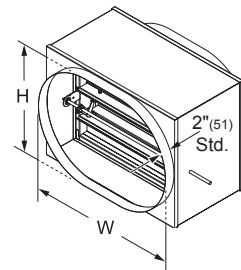
New York City MEA listing: 295-98-E

Meets NFPA Standards: 90A, 92A, 92B and 101

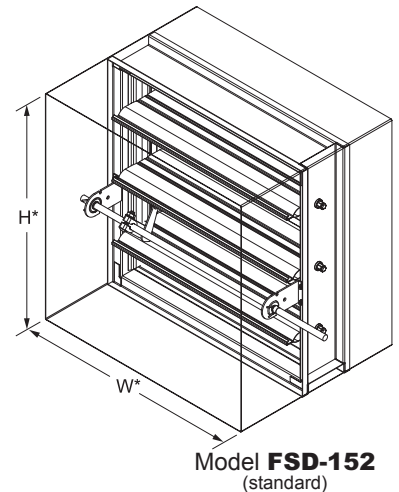
Meets Building Code Standards: IBC, NBC, NFPA, SBC and UBC



Type R (optional)
Round duct transitions are standard with D=W=H.
(available with D<W and H)



Type O (optional)
Oval duct transitions are standard with W and H equal to damper width and height dimensions. (available with W and H smaller than damper width and height)



*Damper dimensions furnished approximately 1/4" (6) undersize. (sleeve thickness not included)

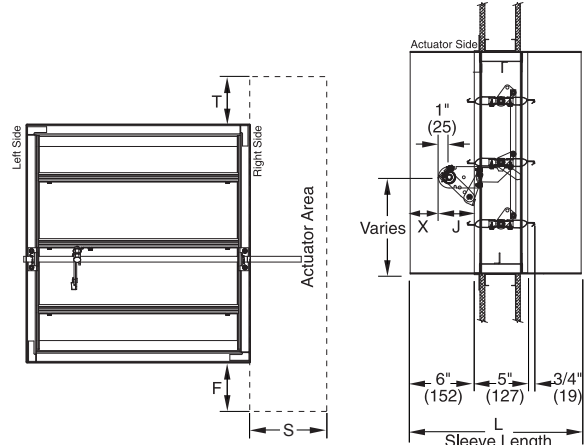
**Special Sizing	Power Close Option	24V Modulating Option
Maximum Single Section	32" x 36" (813 x 914)	32" x 24" (813 x 610)
Maximum Multiple Section	N/A	128" x 48" or 144" x 24" (3521 x 1219 or 3658 x 610)
Maximum Dynamic Closure Velocity	2000 fpm (10.2 m/s)	2000 fpm (10.2 m/s)
Maximum Temperature	212°F (100°C)	250°F (121°C)

NOTE: Dimensions in parentheses () are millimeters.

Actuator and Sleeve Dimensional Data

The drawings and corresponding table illustrate the position of the damper when mounted in a factory sleeve and the relative space required for a given actuator. The standard mounting locations provide enough space for installation of retaining angles and duct connections.

Damper Height	Actuator Model							
	FSLF120 FSLF24	FSNF120 FSNF24	GGD221 GGD121	ML4115 ML8115	MS4120 MS8120	331-4826	331-2998	
F	6"-7"	5"	7"	9"	5"	8"	9"	13"
	8"-9"	4"	7"	8"	4"	8"	8"	12"
	10"-11"	1"	4"	6"	1"	5"	5"	9"
	12"-13"	0"	3"	5"	0"	4"	4"	8"
	14"	0"	2"	4"	0"	3"	4"	8"
	15"-16"	0"	1"	3"	0"	2"	3"	7"
	17"	0"	3"	5"	0"	4"	5"	9"
	18" and 23"	0"	0"	0"	0"	0"	0"	3"
	19"-20" and 25"	0"	0"	0"	0"	0"	0"	0"
	21"-22" and 24"	0"	0"	0"	0"	0"	0"	0"
	26"-27" >27"	0"	0"	0"	0"	0"	0"	0"
T	6" and 10" 7" and 11"-12"	3" 2"	3" 2"	3" 2"	3" 2"	4" 2"	3" 2"	3" 2"
	8", 13"-14" and 21"	1" 0"	1" 0"	1" 0"	1" 0"	2" 0"	1" 0"	1" 0"
	9", 15"-17" and 20"	0" 0"	0" 1"	0" 0"	0" 0"	0" 2"	0" 1"	0" 1"
	18"-19"	0"	1"	1"	0"	2"	1"	1"
	22"-23" and >24" 24"	0" 0"	0" 0"	0" 0"	0" 0"	0" 0"	0" 0"	0" 1"
S	All	4-1/2"	4-1/2"	4-1/2"	4-1/2"	5"	7-1/4"	
X	<8" ≥8"	4" 2-5/8"	4" 2-5/8"	4" 2-5/8"	4" 2-5/8"	4" 2-5/8"	4" 2-5/8"	
J	<8" ≥8"	2" 3-3/8"	2" 3-3/8"	2" 3-3/8"	2" 3-3/8"	2" 3-3/8"	2" 3-3/8"	

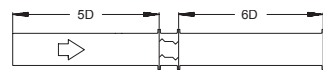
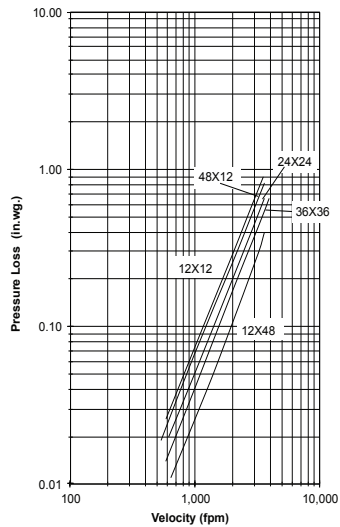


- NOTE:**
- Sleeve length "L" = wall/floor thickness + 10" (254). Standard sleeve length "L" = 16" (406).
 - Damper may be rotated 180° to position actuator area on the left side.
 - The entire damper frame is not required to be installed within the wall, partition or floor. However, the closed plane of the damper blades must be inside the wall, partition or floor.
 - Dimensions for FSLF120 apply to FSTF120.
 - Dimensions for FSNF24 apply to FSAF24-SR and FSAF24-BAL.
 - Dimensions for FSLF24 apply to FSAFB24.
 - Dimensions for ML4115/ML8115 apply to MS4209/MS8209.
 - For dimensions on actuators not shown above, contact factory.

Airflow Performance Data

Pressure Loss vs. Velocity

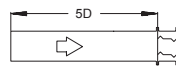
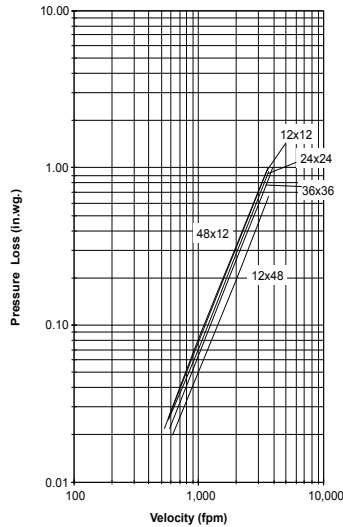
Figure 5.3 — Ducted Inlet and Outlet



Ducted Inlet and Outlet

AMCA Figure 5.3 illustrates a fully ducted damper. This configuration represents the lowest pressure drop of the three test configurations because entrance and exit losses are minimized by straight duct runs upstream and downstream of the damper.

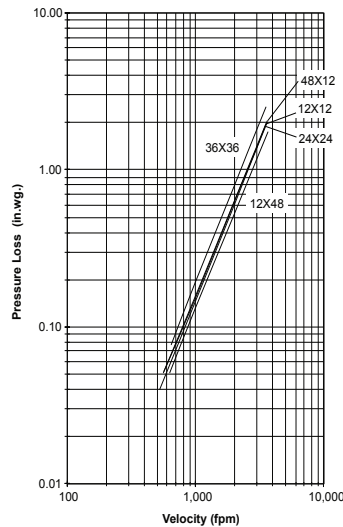
Figure 5.2 — Ducted Inlet



Ducted Inlet

AMCA Figure 5.2 illustrates a ducted damper exhausting air into an open area. This configuration has a lower pressure drop than Figure 5.5 because entrance losses are minimized by a straight duct run upstream of the damper.

Figure 5.5 Plenum Mount



Plenum Mount

AMCA Figure 5.5 illustrates a plenum mounted damper. This configuration has the highest pressure drop because of extremely high entrance and exit losses due to the sudden changes of area in the system.