

Application

The VFD-30-A fire damper employs curtain style blades for point-of-origin control of fire in static HVAC systems. The VFD-30-A may be installed in vertical walls or partitions or horizontally in floors or assemblies with fire resistance ratings up to 4 hours.

Standard Construction

Frame: 22 gauge (0.85) galvanized steel.

Blades: 24 gauge (0.7) galvanized steel – curtain style.

Fire Closure Device: Fusible link.

Fire Closure Temperature: 165°F (75°C).

Minimum Size: Vertical mount: 4" × 4" (102 × 102)
Horizontal mount: 6" × 10" (152 × 254)

Maximum Size: Single Section: Vertical: 36" × 36" (915 × 915)
Horizontal: 38" × 36" (965 × 915)
Vertical: 108" × 24" (2743 × 610)
Multiple Section: Horizontal: 76" × 96" (1931 × 2438)

Stainless Steel: Single section: Vertical: 36" × 24" (914 × 610)
Multiple Section: Vertical: 108" × 24" (2743 × 610)

Options

- Factory installed sleeve: Integral
Gauge: 20 (1.0) 18 (1.3) 16 (1.6) 14 (2.0) 10 (3.5)
Length: 12" (305) 16" (406) 24" (610) Other ____
- Low leakage taped joints. (Integral sleeve required)
- Transitions: Flanged (sleeve required)
 - Round Oval
 - Duct connections (sleeve required):
 - 1" (25) S-clip DM-25 DM-35 S & Drive WARD
- 16 ga. (1.6) retaining angle systems:
Picture frame: SSPF (single-side) DSPF (2-sided)
Individual angle sets: SS (single-side) DS (2-sided)
- Alternate fire closure temperature.
 212°F (100°C)
- Duct access door factory mounted in common sleeve.
- Type-304 stainless steel construction.
- PI-10 (Blade closure indication switch package):
 - External mount (sleeve required) Internal mount Loose

Ratings

UL 555 Fire Resistance Rating: 3 hour (vertical and horizontal)

UL HNLJ.V-5: Ventilation Duct Assemblies



Listings

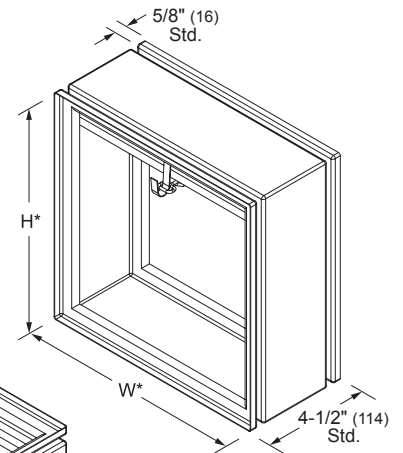
UL 555 listing: R11767

CSFM listing: 3225-0368:101

New York City MEA listing: 295-98-E

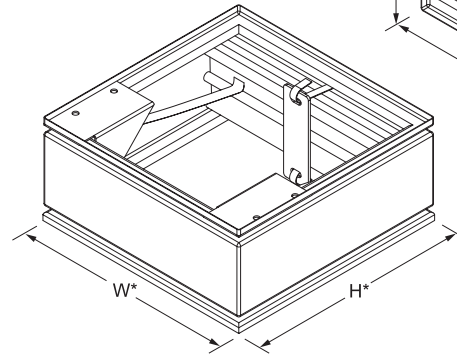
Meets NFPA Standards: 90A, 92A, 92B and 101

Meets Building Code Standards: IBC, NBC, NFPA, SBC and UBC

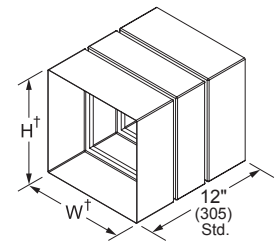


Model **VFD-30-A**
(standard)

* Damper dimensions furnished approximately 1/4" (6) undersize.
† Damper dimensions furnished approximately 1/8" (3) undersize.



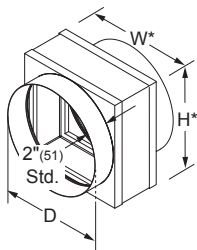
Model **VFD-30-A**
(standard-horizontal)



Sleeve Style ISA (optional)

Round Transitions

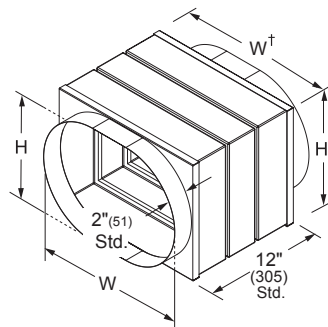
(Standard with D=W=H. Available with D<W and H)



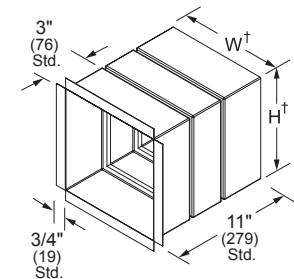
Style AR (optional)

Oval Transitions

(Standard with W and H equal to damper width and height dimensions. Available with W and H smaller than damper width and height)

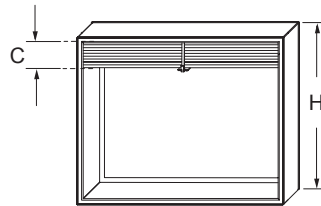
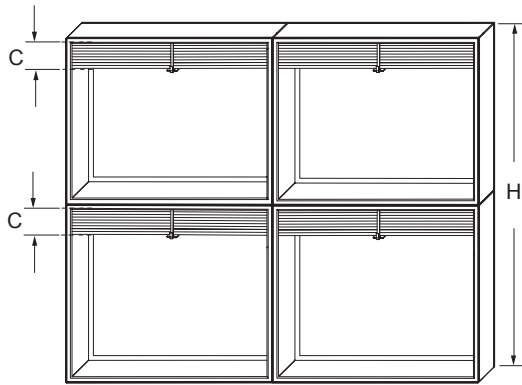


Sleeve Style ISAO (optional)



Sleeve Style ISAF (optional)
With standard flange.
(Typical for use with grille.)

Blade Stack Dimensional Data



Framed Unit — No Sleeve
(Multiple section units supplied as individual dampers for field assembly)

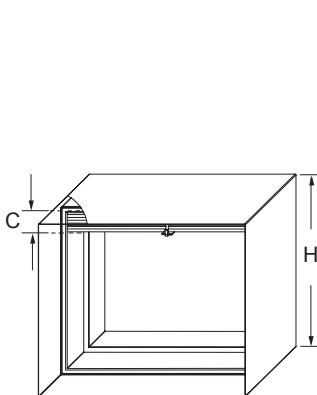
Damper Width

Nominal Duct Height 'H'	Damper Width	
	Galvanized Vertical Mount: 4" (102) - 36" (914) Galvanized Horizontal Mount: 6" (152) - 76" (1931)	Galvanized Vertical Mount: 37" (940) - 108" (2743) Stainless Vertical Mount: 4" (102) - 108" (2743)
4" (102) - 6" (152)	1-1/16" (27)	1-3/16" (30)
7" (178) - 9" (229)	1-3/16" (30)	1-7/16" (37)
10" (254) - 12" (305)	1-7/16" (37)	1-9/16" (40)
13" (330) - 14" (356)	1-9/16" (40)	1-13/16" (46)
15" (381) - 17" (432)	1-13/16" (46)	1-15/16" (49)
18" (457) - 19" (483)	1-15/16" (49)	2-3/16" (56)
20" (508) - 22" (559)	2-3/16" (56)	2-5/16" (59)
23" (584) - 24" (610)	2-5/16" (59)	2-9/16" (65)
25" (635) - 27" (686)	2-9/16" (65)	
28" (711) - 29" (737)	2-11/16" (68)	
30" (762) - 32" (813)	2-15/16" (75)	
33" (838) - 34" (864)	3-1/16" (78)	
35" (889) - 36" (914)	3-5/16" (84)	
37" (940) - 38" (965)	1-15/16" (49)	Horizontal Mount Only
39" (991) - 44" (1118)	2-3/16" (56)	
45" (1143) - 48" (1219)	2-5/16" (59)	
49" (1245) - 54" (1372)	2-9/16" (65)	
55" (1397) - 58" (1473)	2-11/16" (68)	
59" (1499) - 64" (1626)	2-15/16" (75)	
65" (1651) - 68" (1727)	3-1/16" (78)	
69" (1753) - 72" (1829)	3-5/16" (84)	
73" (1859)	2-5/16" (59)	
74" (1880) - 81" (2057)	2-9/16" (65)	
82" (2083) - 87" (2210)	2-11/16" (68)	
88" (2235) - 96" (2438)	2-15/16" (75)	

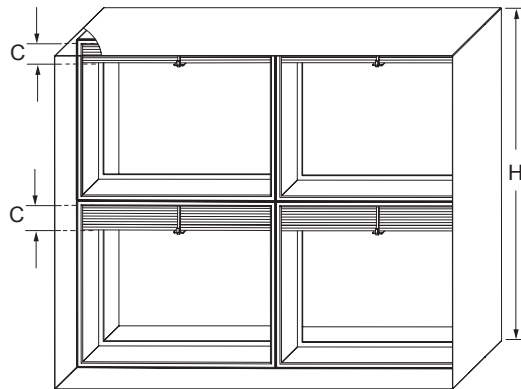
NOTES:

Dampers in the shaded area are for Vertical Mount Only
Dampers in the Bold Outline are for Horizontal Mount Only

Dampers shown as vertical mount. Horizontal mount supplied in the same orientation.



Sleeve Style S — Common Sleeve
(Multiple section units supplied as a single assembly)



Sleeve Style IS — Integral Sleeve