

Application

The VFD-30D-A fire damper employs curtain style blades for point-of-origin control of fire in static and dynamic HVAC systems. The VFD-30D-A is qualified to 4,000 ft/min (20.4 m/s) and 4 in.wg. (1.0 kPa) and may be installed in vertical walls or partitions with fire resistance ratings up to 4 hours.

Standard Construction

- Frame:** 22 gauge (0.85) galvanized steel.
- Blades:** 24 gauge (0.7) galvanized steel – curtain style.
- Fire Closure Device:** Fusible link.
- Fire Closure Temperature:** 165°F (75°C).
- Minimum Size:** 6" × 6" (152 × 152)
- Maximum Size:** 36" × 36" (914 × 914)
- Multiple Section:** 108" × 24" (2743 × 810)
- Stainless Steel:** Single section: 36" × 24" (914 × 610)

Options

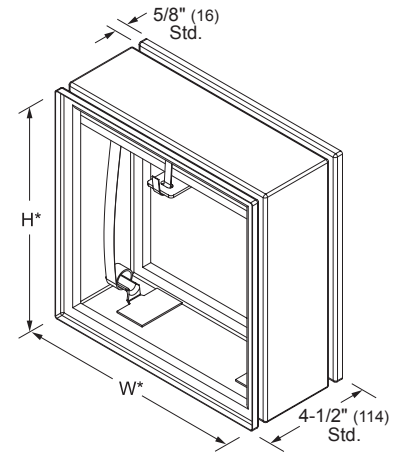
- Factory installed sleeve: Integral
Gauge: 20 (1.0) 18 (1.3) 16 (1.6) 14 (2.0) 10 (3.5)
Length: 12" (305) 16" (406) 24" (610) Other _____
- Low leakage taped joints. (Integral sleeve required)
- Transitions: Flanged (sleeve required)
 - Round Oval
 - Duct connections (sleeve required):
 - 1" (25) S-clip DM-25 DM-35 S & Drive WARD
- 16 ga. (1.6) retaining angle systems:
Picture frame: SSPF (single-side) DSPF (2-sided)
Individual angle sets: SS (single-side) DS (2-sided)
- Alternate fire closure temperature.
 212°F (100°C)
- Duct access door factory mounted in common sleeve.
- Type-304 stainless steel construction.
- PI-10 (Blade closure indication switch package):
 - External mount (sleeve required) Internal mount Loose

Ratings

- UL 555 Fire Resistance Rating:** 3 hour (vertical)
- UL HNLJ.V-5:** Ventilation Duct Assemblies
- Maximum Dynamic Closure Velocity:** 4,000 fpm (20.4 m/s)
- Maximum UL555S Rated Pressure:** 4 in.wg. (1.0 kPa)

Listings

- UL 555 listing:** R11767
- CSFM listing:** 3225-0368:101
- New York City MEA listing:** 295-98-E
- Meets NFPA Standards:** 90A, 92A, 92B and 101
- Meets Building Code Standards:** IBC, NBC, NFPA, SBC and UBC

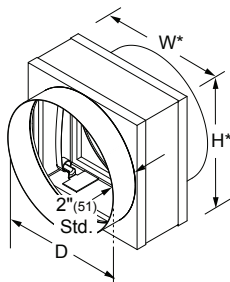


Model **VFD-30D-A**
(standard)

* Damper dimensions furnished approximately 1/4" (6) undersize.
† Damper dimensions furnished approximately 1/8" (3) undersize.

Round Transitions

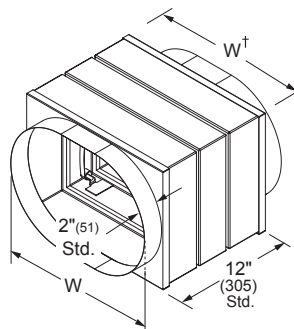
(Standard with D=W=H. Available with D<W and H)



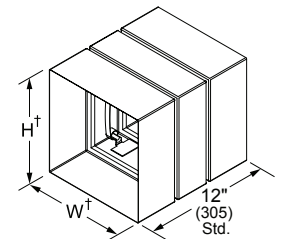
Style AR (optional)

Oval Transitions

(Standard with W and H equal to damper width and height dimensions. Available with W and H smaller than damper width and height)

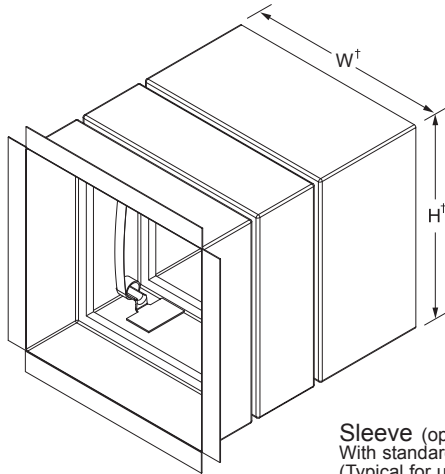


Sleeve Style ISAO (optional)

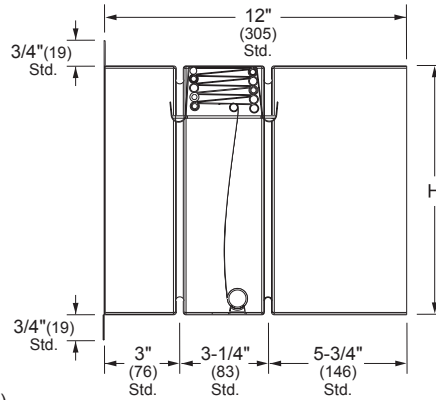


Sleeve Style ISA (optional)

Flanged Transition

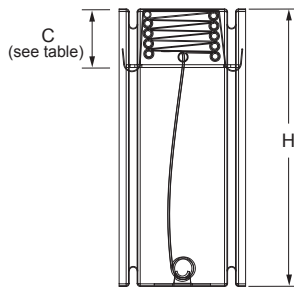


Sleeve (optional)
With standard flange.
(Typical for use with grille.)



†Damper dimensions furnished approximately 1/8" (3) undersize.

Blade Stack Dimensional Data



Damper Width

Nominal Duct Height 'H'	Damper Width	
	Galvanized Vertical Mount: 6" (152) - 36" (914)	Galvanized Vertical Mount: 37" (940) - 108" (2743) Stainless Vertical Mount: 6" (152) - 36" (914)
	Blade Stack Height 'C'	Blade Stack Height 'C'
6" (152)	1-1/16" (27)	1-3/16" (30)
7" (178) - 9" (229)	1-3/16" (30)	1-7/16" (37)
10" (254) - 12" (305)	1-7/16" (37)	1-9/16" (40)
13" (330) - 14" (356)	1-9/16" (40)	1-13/16" (46)
15" (381) - 17" (432)	1-13/16" (46)	1-15/16" (49)
18" (457) - 19" (483)	1-15/16" (49)	2-3/16" (56)
20" (508) - 22" (559)	2-3/16" (56)	2-5/16" (59)
23" (584) - 24" (610)	2-5/16" (59)	2-9/16" (65)
25" (635) - 27" (686)	2-9/16" (65)	
28" (711) - 29" (737)	2-11/16" (68)	
30" (762) - 32" (813)	2-15/16" (75)	
33" (838) - 34" (864)	3-1/16" (78)	
35" (889) - 36" (914)	3-5/16" (84)	